

# PDF PRODUCT CATALOG

February 2020



# CAPTAINS CHOICE

# CAPTAINS CHOICE

## Our focus is value for you. Simple as that.

Thanks to modern technologies and by careful evaluation we can provide the best value to our customers. Our products is what people with knowledge and experience would call The Captain's Choice.

Pump products that meet marine business standards in terms of functionality, quality, interchangeability and price. Backed by an experienced team specifying the right product for the right application.

Albin Pump Marine has developed a complete product portfolio including bilge pumps, water pressure pumps, waste water pumps, general purpose pumps, self-priming flexible impeller pumps, replacement impellers as well as an extensive range of pump solutions such as marine toilets, water heaters, ventilation blowers and heaters/ defrosters, for improved comfort and safety onboard.

<b>01_Bilge Pumps</b> .....	3	<b>06_Replacement Impellers</b> .....	37
Submersible Standard Bilge Pumps .....	5	Pleasure Boat Impellers.....	39
Submersible Automatic Bilge Pumps .....	6	Commercial Boat Impellers.....	46
Submersible Heavy Duty Bilge Pumps .....	7	Special Impellers.....	52
Manual Bilge Pumps.....	8	Impeller Tools.....	53
Accessories / Spare Parts .....	8	<b>07_Marine Toilets</b> .....	54
<b>02_Water Pressure Systems</b> .....	12	Manual Toilets.....	56
Water Pressure Pumps .....	14	Standard Electric Toilets.....	57
Wash Down Pumps.....	15	Silent Electric Toilets.....	58
Accessories / Spare Parts .....	16	Silent Premium Toilets .....	59
<b>03_Waste Water Systems</b> .....	17	Accessories / Spare Parts .....	60
Waste Water Diaphragm Pumps .....	19	<b>08_Water Heaters</b> .....	73
Macerator Pump .....	20	Premium Water Heaters .....	75
Complete Waste Water Tank Kits.....	21	Stainless Steel Water Heaters .....	77
Accessories .....	22	Accessories / Spare Parts .....	78
<b>04_General Purpose Pumps</b> .....	23	<b>09_Heaters and Defrosters</b> .....	80
DC Impeller and Ballast Pumps .....	25	Pleasure Boat Defrosters.....	82
Gear Pumps .....	26	Commercial Boat Defrosters .....	82
Accessories .....	27	Accessories .....	84
<b>05_Self-Priming FIP Pumps</b> .....	28	<b>10_Ventilation Blowers</b> .....	85
Engine Cooling Pumps.....	30	Radial Ventilation Blowers.....	87
Volvo Penta Engine Cooling Pumps.....	30	Flange-mounted Blowers .....	87
Volvo Penta High Speed Engine Cooling		Flex-mounted Blowers.....	87
Pumps .....	32	In-Line Blowers.....	88
Crankshaft Engine Cooling Pumps.....	33		
Yanmar Engine Cooling Pumps .....	33		
Scania Engine Cooling Pumps .....	34		
Pedestal Electro-Magnetic Clutch Pumps .....	34		
Electro-Magnetic Clutches and Coils.....	35		
Accessories .....	36		





## 01\_Bilge Pumps

Developed for safe performance in all weather conditions and bilge environments. Easy to install and robustly engineered to maximize lifetime. For harsh saltwater and freshwater use, heavy duty motors with stainless steel shaft and durable high impact thermoplastic housing. Designed to be interchangeable, classified as safety products with 2 years limited warranty.



# 01\_Bilge Pumps

Submersible Standard Bilge Pumps .....	5
Submersible Automatic Bilge Pumps .....	6
Submersible Heavy Duty Bilge Pumps .....	7
Manual Bilge Pumps.....	8
Accessories / Spare Parts .....	8



# Submersible Standard Bilge Pumps

Albin Pump Marine's series of submersible Cartridge Bilge Pumps and Twinport Aerator Pumps that are designed with the latest technology in order to meet the requirements and standards for the marine industry. Sport fishing, water sports, cruising as well as commercial duties.

The series is based on the well-proven APM 12/24V motors for capacities 500 GPH, 750 GPH & 1100 GPH

- Easy to install
- Detachable-port connections
- Straight and 90 deg elbow hose connections
- Easy to clean
- Replaceable Cartridge Motor
- Stainless steel shaft
- Tough Thermoplastic Housing
- Seawater resistant shaft seal
- Twinport Aerator pumps combine Livewell/Live bait aeration and washdown pump applications from a single intake

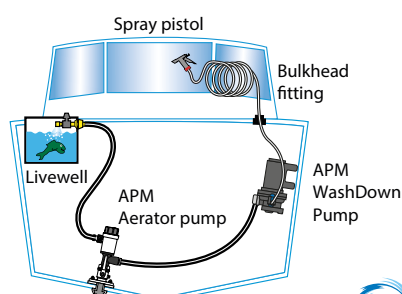


## Albin Pump Marine Cartridge Submersible Bilge Pump series

Part no.	Description	Capacity straight	Capacity 3 ft - 0.9m	Amperage	Fuse size	Connection	Dimensions W x L x H
01-02-002	Cartridge Bilge Pump 500 GPH 12V	500 GPH - 32l/min	400 GPH - 25l/min	1.8 A	5 A	3/4"	79 x 130 x 116.5 mm (3.1 x 5.1 x 4.6 in)
01-02-003	Cartridge Bilge Pump 750 GPH 12V	750 GPH - 50l/min	660 GPH - 42l/min	2.7 A	5 A	3/4"	
01-02-004	Cartridge Bilge Pump 750 GPH 24V	750 GPH - 50l/min	660 GPH - 42l/min	1.5 A	5 A	3/4"	
01-02-005	Cartridge Bilge Pump 1100 GPH 12V	1100 GPH - 75l/min	1000 GPH - 65l/min	4 A	5 A	1 1/8" fixed	79 x 102 x 116.5 mm (3.1 x 4.0 x 4.6 in)
01-02-006	Cartridge Bilge Pump 1100 GPH 24V	1100 GPH - 75l/min	1000 GPH - 65l/min	2.5 A	5 A	1 1/8" fixed	
01-02-007	Cartridge Bilge Pump Low 750 GPH 12V	750 GPH - 50l/min	660 GPH - 42l/min	2.7 A	5 A	3/4"	92 x 150 x 100 mm (3.6 x 5.1 x 3.9 in)
01-02-008	Cartridge Bilge Pump Low 1100 GPH 12V	1100 GPH - 75l/min	1000 GPH - 65l/min	4 A	5 A	1 1/8" fixed	81 x 150 x 90 mm (3.2 x 5.1 x 3.5 in)

## Albin Pump Marine Twinport Aerator Pump series

Part no.	Description	Capacity straight	Capacity 3 ft - 0.9m	Amperage	Fuse size	Connection	Dimensions W x L x H
01-05-078	Twinport Aerator Pump 500 GPH 12V Angled	500 GPH - 32l/min	400 GPH - 25l/min	1.8 A	5 A	3/4"	64 x 180 x 190 mm (2.5 x 7.1 x 7.5 in)
01-05-080	Twinport Aerator Pump 750 GPH 12V Angled	750 GPH - 50l/min	660 GPH - 42l/min	2.7 A	5 A	3/4"	
01-05-082	Twinport Aerator Pump 1100 GPH 24V Angled	1100 GPH - 75l/min	1000 GPH - 65l/min	4 A	5 A	1 1/8" fixed	
01-05-077	Twinport Aerator Pump 500 GPH 12V Straight	500 GPH - 32l/min	400 GPH - 25l/min	1.8 A	5 A	3/4"	64 x 123 x 228 mm (2.5 x 4.8 x 8.9 in)
01-05-079	Twinport Aerator Pump 750 GPH 12V Straight	750 GPH - 50l/min	660 GPH - 42l/min	2.7 A	5 A	3/4"	
01-05-081	Twinport Aerator Pump 1100 GPH 12V Straight	1100 GPH - 75l/min	1000 GPH - 65l/min	4 A	5 A	1 1/8" fixed	64 x 97 x 228 mm (2.5 x 3.8 x 8.9 in)
01-05-074	Twinport Aerator Pump 500 GPH 12V Short stack	500 GPH - 32l/min	400 GPH - 25l/min	1.8 A	5 A	3/4"	64 x 123 x 146 mm (2.5 x 4.8 x 5.7 in)
01-05-075	Twinport Aerator Pump 750 GPH 12V Short stack	750 GPH - 50l/min	660 GPH - 42l/min	2.7 A	5 A	3/4"	
01-05-076	Twinport Aerator Pump 1100 GPH 12V Short stack	1100 GPH - 75l/min	1000 GPH - 65l/min	4 A	5 A	1 1/8" fixed	64 x 97 x 146 mm (2.5 x 3.8 x 5.7 in)



# Submersible Automatic Bilge Pumps

Fully automatic with a built-in electrical level switch. Compact and easy to install. Stainless steel shaft, tough thermoplastic ABS housing and removable base plate with integrated strainer. Easy maintenance and low power consumption.

- Compact, all-in-one unit
- Integrated electrical level switch
- Detachable straight and elbow ports (500 GPH & 750 GPH), fixed straight port (1100 GPH)
- Automatic operation in harsh saltwater and freshwater use
- Mercury-free
- Easy hose assembly without risk of stress from overtightened hose clamps
- Universal base with removable clip-on base with integrated screen and detachable check valve
- Easy maintenance, no tools required
- 3-wire device for auto, manual or override mode
- Water-cooled motor for long service life, stainless steel shaft

## 500 GPH

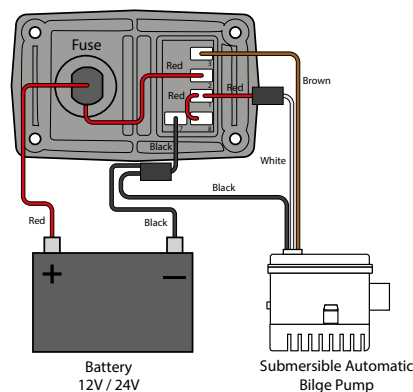
Part no.	Capacity	Capacity 3 ft head (1 m)	Ports	Voltage	Fuse	Dimensions
01-04-015	500 GPH (32 L/min)	400 GPH (25 L/min)	Detachable 3/4" (19 mm) straight and elbow	12V	3 A	5.9 x 3 x 3.7 inches (151 x 78 x 95 mm)

## 750 GPH

Part no.	Capacity	Capacity 3 ft head (1 m)	Ports	Voltage	Fuse	Dimensions
01-04-016	750 GPH (50 L/min)	660 GPH (42 L/min)	Detachable 3/4" (19 mm) straight and elbow	12V	5 A	5.9 x 3 x 3.7 inches (151 x 78 x 95 mm)
01-04-017				24V	3 A	

## 1100 GPH

Part no.	Capacity	Capacity 3 ft head (1 m)	Ports	Voltage	Fuse	Dimensions
01-04-016	1100 GPH (75 L/min)	1000 GPH (65 L/min)	Fixed 1 1/8" (29 mm) straight	12V	6 A	5.9 x 3 x 3.7 inches (151 x 78 x 95 mm)
01-04-017				24V	3 A	



Albin Pump Marine 500 GPH - 1100 GPH  
part nos. 01-04-015 - 019 12V / 24V

# Submersible Heavy Duty Bilge Pumps

Easily installed and robustly engineered for maximum lifetime. Submersible for harsh saltwater and freshwater use; featuring heavy duty motor with stainless steel shaft; mechanical shaft seal; durable high impact thermoplastic housing and universal base screen. Designed to be interchangeable with same type bilge pumps on the market.

- Submersible for harsh saltwater and freshwater use
- Liquid cooled for extended motor life
- Heavy duty, AISI 316 steel shaft, double ball bearing motor
- Quality engineered mechanical seal
- Manual operation; automatic operation with optional float switch (APM 01-66-025) or digital bilge switch (APM 01-66-037)
- Removable check valve included
- Complies with ISO 8848, EN 55014 Marine
- Universal base plate with strainer and pin (for "T-slot") to attach a level switch for automatic operation
- Designed to be interchangeable with similar type bilge pumps.



## 1750 GPH recommended for boat lengths > 10 m (33 feet)

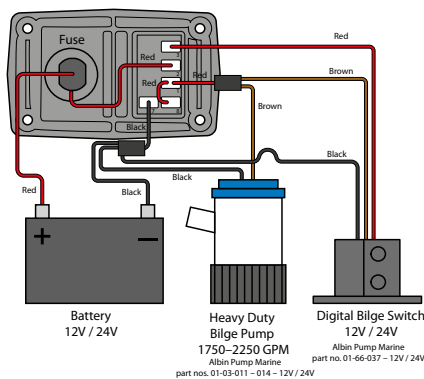
Part no.	Capacity	Capacity 3 ft head (1 m)	Ports	Voltage	Fuse	Dimensions	Replaces
01-03-011	1750 GPH (110 L/min)	1350 GPH (85 L/min)	28 mm (1 1/8") and 32 mm (1 1/4")	12V	10 A	170x158xØ130 mm (6.7x6.2xØ5.1 inches)	Rule 1500 Johnson Pump 16004-00 /32-1600-01
01-03-012				24V	6 A		Rule 1500 Johnson Pump 16084-00 /32-1600-02

## 2250 GPH recommended for boat lengths > 12 m (39 feet)

Part no.	Capacity	Capacity 3 ft head (1 m)	Ports	Voltage	Fuse	Dimensions	Replaces
01-03-013	2250 GPH (140 L/min)	1900 GPH (120 L/min)	28 mm (1 1/8") and 32 mm (1 1/4")	12V	16 A	170x158xØ130 mm (6.7x6.2xØ5.1 inches)	Rule 2000 Johnson Pump 22004 /32-2200-01
01-03-014				24V	9 A		Rule 2000 Johnson Pump 22084 /32-2200-02

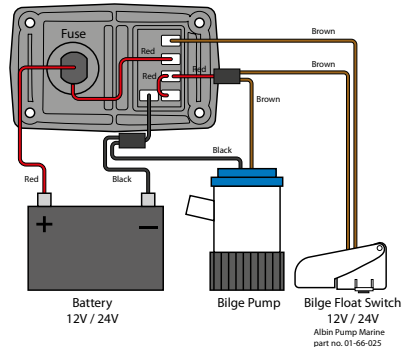
3-way Bilge Pump Panel (ON - OFF - AUTO)

Albin Pump Marine part no. 01-66-027 - 12V/24V



3-way Bilge Pump Panel (ON - OFF - AUTO)

Albin Pump Marine part no. 01-66-027 - 12V/24V



# Manual Bilge Pumps

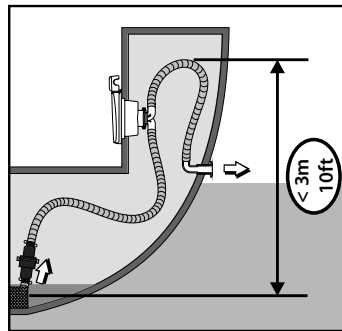


Rugged, flush mounted manual bilge pump with integrated handle and appealing design. Install where the pump can be readily accessed while operating the boat; such as in the cockpit, wheelhouse or on deck for power loss situations or installation on boats without electrical systems.

- Compact, manually operated Bilge Pump with integrated handle in the pump cover
- Self-priming
- 3 m (9.8 ft) lift/head
- Polypropylene body, metal fittings of stainless steel, nitrile rubber diaphragm and valves
- Heavy duty non-choke valves
- High-flow tricuspid valve on the outlet port
- Positionable elbow connectors, 2 x 25 mm and 2 x 38 mm (1" and 1½")
- Complies with ISO 15083

Part no.	Capacity* 3 ft head (1 m)		Ports	Color	Dimensions W x D x H
	25 mm (1") connection	38 mm (1½") connection			
01-01-001	34.5 L / min (9.1 GPM)	45 L / min (11.9 GPM)	25 mm (1") and 38 mm (1½")	white	157 x 207 x 151 (25 mm connectors) 163 (38 mm connectors) mm 6.2 x 18.1 x 5.9 (1" connectors) 6.4 (1½" connectors) inches
01-01-002				black	

\*45 strokes / min



# Accessories

Compliment your bilge pumps with switches for automatic operation; control panels for combined automatic and manual operation; monitoring systems; non-return valves and bypass connectors.

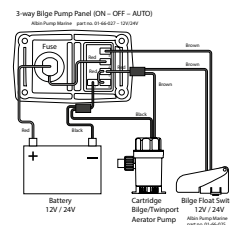
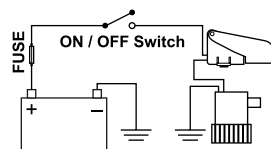


## Automatic Bilge Float Switch

Automate your electric bilge pump simply and effectively with an Albin Pump Automatic Float Switch. Safely remove bilge water, even when no one is onboard. Mechanical arm floats up with rising water level in the bilge and completes the circuit, activating your bilge pump. As the water level lowers the arm lowers and deactivates the pump.

- Rated for 500,000 cycles
- Durable thermoplastic ABS housing
- Mercury-free operation
- For salt water and fresh water use only

Part no.	Service life	Voltage	Pump power draw	Dimensions
01-66-025	500,000 cycles	12V / 24V / 32V	Max. 14 A	110 x 70 x 50 high mm (4.3 x 2.8 x 2 inches)





# Accessories



## Digital Bilge Switch

Fully automate your electric bilge pump with an Albin Pump Digital Bilge Switch that employs no moving parts. Safely remove bilge water, even when no one is onboard. Disruption of the produced electric field by the bilge water activates your bilge pump automatically and shuts down the pump when the water level sinks to acceptable level.

- No moving parts, fully sealed
- Field sensing technology
- Non-corroding polymer housing
- Unaffected by oil or floating debris in the bilge
- Delayed activation/ deactivation to avoid false starts/ stops due to sloshing in the bilge
- 30 second pump shut-down cycle to ensure water evacuation

Part no.	Voltage	Fuse	Power draw	Dimensions W x H x D
01-66-037	12V/ 24V	according to the recommended fuse of the pump used	< 20 $\mu$ A in standby	26 x 64 x 5 mm (1 x 2 x 0.2 inches)

## Bilge Pump Panel 3-way

Manage your bilge pump from the wheel house with the Albin Pump three-position Bilge Pump Panel. Manually activate and deactivate your electric bilge pump with the panel, or use the automatic setting in combination with APM's Automatic Bilge Float and Digital Bilge Switches or Automatic Submersible Bilge Pumps.

- Switch positions manual ON, OFF and Automatic
- Integrated operating light and fuse holder.

Part no.	Voltage	Fuse	Dimensions W x H
01-66-027	12V/ 24V	according to the recommended fuse of the pump used	100 x 61 mm (3.9 x 2.4 inches) (70 mm x 45 mm (2.8 x 1.8 inches) (W x H) hole in the mounting surface to accommodate the electronics)

## Digital High Water Alarm

Fluid level sensor for marine applications. Electronic field sensing technology with digital accuracy automatically detects the bilge water level and at high levels sounds an audible and visual alarm on the panel.

- Easy installation
- No calibration required
- No moving parts and completely sealed for long-term durability
- Delayed activation/ deactivation to avoid false starts/ stops due to sloshing in the bilge
- Will not corrode in contact with salt water, fuel/ oil
- Not affected by foreign debris
- Robust against temperature and vibrations

Part no.	Voltage	Fuse	Included in the Kit	Dimensions W x H x D
01-69-041	12V	1 A	<ul style="list-style-type: none"> <li>• Display panel (1 LED + piezo alarm) with 6" (152mm) wire leads</li> </ul>	Sensor: 26 x 51 mm (1 x 2 inches) Panel: 76 x 56 x 35 mm (3 x 2.2 x 1.4 inches) ??(W x H) hole in the mounting surface to accommodate the electronics)
01-69-042	24V		<ul style="list-style-type: none"> <li>• Alarm sensor (screw-mounted) with 12" (305mm) wire leads</li> <li>• Fuse and fuse holder</li> </ul>	Sensor: 26 x 64 x 5 mm (1 x 2 x 0.2 inches) Panel: 76 x 56 x 35 mm (3 x 2.2 x 1.4 inches) ??(W x H) hole in the mounting surface to accommodate the electronics)

**NOTE!** Not for use with metal holding tanks or for monitoring fuel/oil levels



# Accessories



## Bilge Boat Monitor System 12V / 24V

A complete monitoring system that provides you with real time data to your smartphone or your computer such as bilge water level alarm, battery status, positioning / tracking alarms if your boat is being moved. Can be used for fleet monitoring! Easy to install, suitable for virtually any floating vessel with 12/24 V power onboard.

Reduce your insurance costs up to 20% by having an approved high-water alarm and positioning system installed onboard.

- SIM card that works with all international GSM communication standards with outstanding connectivity; optional use of your own SIM card (yearly subscription fee, or one-time administration fee for own SIM card)
- Latest technology and designed for marine use, robust and very compact
- Delayed activation / deactivation to avoid false alarms due to sloshing in the bilge
- Built-in battery allows the device to continue sending information over a period of time if the power is cut
- IPX6 water protected and withstands rough movements at sea
- Approved by international insurance companies
- CE and FCC certified

Part no.	Voltage	Fuse	Included in the Kit	Dimensions W x H x D
01-07-007	12V / 24V	Fused appropriately based on bilge pump system	<ul style="list-style-type: none"> <li>• Monitor device</li> <li>• Digital waterlevel sensor</li> <li>• Electrical connectors</li> <li>• SIM card</li> </ul>	Device: 46x70x17.5 mm (1.8x2.8x0.7 inches) Sensor: 26x64x5 mm (1 x 2x0.2 inches)

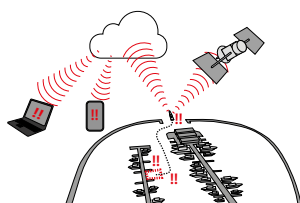
## Boat Monitor System 12V / 24V

A boat monitoring system that provides you with real time data to your smartphone or your computer such as battery status, positioning / tracking alarms if your boat is being moved. Can be used for fleet monitoring! Easy to install, suitable for virtually any floating vessel with 12/24 V power onboard.

Reduce your insurance costs by having an approved positioning system installed onboard.

- SIM card that works with all international GSM communication standards with outstanding connectivity; optional use of your own SIM card (yearly subscription fee, or one-time administration fee for own SIM card)
- Latest technology and designed for marine use, robust and very compact
- Built-in battery allows the device to continue sending information over a period of time if the power is cut
- IPX6 water protected and withstands rough movements at sea
- Approved by international insurance companies
- CE and FCC certified

Part no.	Voltage	Fuse	Included	Dimensions W x H x D
01-07-008	12V / 24V	5 A	<ul style="list-style-type: none"> <li>• Monitor device</li> <li>• Electrical connectors</li> <li>• SIM card</li> </ul>	Device: 46x70x17.5 mm (1.8x2.8x0.7 inches)



# Accessories



## By-Pass Connector

Part nr. 01-91-047

By-Pass connection for APM Manual Bilge Pump 01-01-001 / -002, or bulk packed APM 01-31-045 / -046.

- Allows for connecting both the manual pump with an electric submersible bilge pump\* in-line, using the same hose and connectors
- Reduces the overall cost of a complete bilge pump system by facilitating the installation and reducing the material needed

\*Only to be used with submersible centrifugal type bilge pumps because the electric pump needs to act as strainer without blocking the water when operating the manual bilge pump

## Non-Return Valve 25 mm (1"), 38 mm (1½")

Part nr. 01-91-048

In-line Non-Return Valve for a safe and reliable pump system.

- Prevents water from returning when pumping out
- Provides extra safety when pumping water with debris or other waste with self priming diaphragm pumps

## Bilge strainer with non-return valve

- Maintains water in the suction line for easy prime
- Prevent bilge debris blocking the pump or inlet suction line
- Horizontal and vertical flow
- Easy to maintain and clean

Part no.	Description	Connections
01-91-065	Bilge Strainer Vertical	25 / 38 mm (1" / 1½")
01-91-066	Bilge Strainer Horizontal	25 / 38 mm (1" / 1½")

# Spare Parts



## Replacement Motor Cartridge for Cartridge Bilge Pumps and Twinport Aerator Pumps

- Quickly and easily replace and / or upgrade to higher capacity motor
- Available for 12/24V and capacities 500 GPH, 750 GPH & 1100 GPH

Part no.	Description
01-92-083	Replacement Cartridge Motor 500 GPH 12V
01-92-084	Replacement Cartridge Motor 750 GPH 12V
01-92-085	Replacement Cartridge Motor 750 GPH 24V
01-92-086	Replacement Cartridge Motor 1100 GPH 12V
01-92-087	Replacement Cartridge Motor 1100 GPH 24V



## 02\_Water Pressure Systems

Water Pressure Systems for providing pressurized water on demand. Our WPS 300 series and 500- premium series pumps supply continuous, pulsation-free, pressurized flow of both hot and cold water to faucets, shower heads and more. Choose between the 3- and 5- chamber diaphragm pumps, depending on required flow rates and number of faucets to be served. Also available in wash down configuration with pressures up to 5 bar (70psi).



[www.albinpumpmarine.com](http://www.albinpumpmarine.com)  
[info@albinpumpmarine.com](mailto:info@albinpumpmarine.com)





## 02\_Water Pressure Systems

Water Pressure Pumps.....	14
Wash Down Pumps.....	15
Accessories/Spare Parts.....	16

# Water Pressure Systems

Albin Pump Marine WPS300-series 3-chamber and WPS500-Premium Series 5-chamber diaphragm Water Pressure System pumps for providing pressurized water on demand! Our WPS pumps supply continuous, pulsation-free, pressurized flow of both hot and cold water to faucets, shower heads and more. Choose between the 3- and 5-chamber diaphragm pumps, depending on required flow rates and number of faucets to be served.

- Easy to install
- Integrated extra heavy duty sealed pressure switch
- Smooth & Pulsation-free flow
- Quiet operation
- Serves multiple outlets
- Self-priming 2 m (6.5 feet); WPS 5.3 – 2.5 m (8.2 ft)
- Quick disconnect ports
- Connection with ½" hose (also ¾" 500-Premium Series)
- Click-on 40 µm-mesh strainer included
- Composite base mount for even quieter operation
- Manufactured according to CE standard; EN55014-1, ISO 88461 & ISO10133. Under approval

## WPS300-Series 3-Chamber Standard Water Pressure Pumps

### WPS 2.6

Part no.	Description	Capacity	No. of outlets	Pressure cutoff	Voltage	Fuse size	Quick Connection	Dimensions
02-01-003	WPS 2.6 12V	9.8 L/min (2.6 GPM)	1 to 3	2.8 bar (41 psi)	12V	10 A	½" hose	205 x 219 x 110 mm (8.1 x 8.6 x 4.3 inches)

### WPS 3.5

Part no.	Description	Capacity	No. of outlets	Pressure cutoff	Voltage	Fuse size	Quick Connection	Dimensions
02-01-004	WPS 3.5 12V	13 L/min (3.5 GPM)	1 to 3	2.8 bar (41 psi)	12V	10 A	½" hose	205 x 219 x 110 mm (8.1 x 8.6 x 4.3 inches)
02-01-005	WPS 3.5 24V				24V	5 A		

## WPS500-Premium Series 5-Chamber High Capacity Water Pressure Pumps

### WPS 4.0

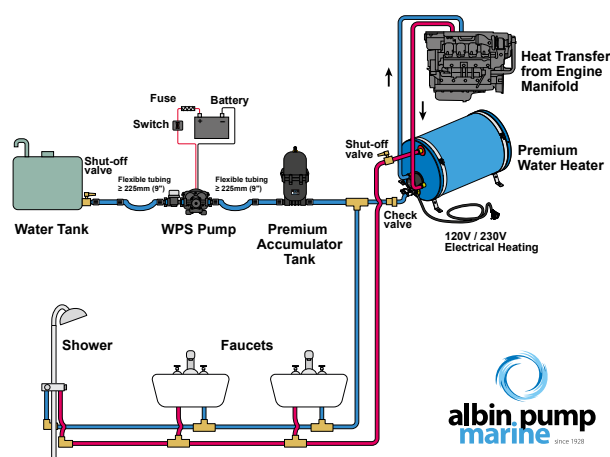
Part no.	Description	Capacity	No. of outlets	Pressure cutoff	Voltage	Fuse size	Quick Connection	Dimensions
02-02-006	WPS 4.0 12V	15 L/min (4.0 GPM)	1 to 5	2.8 bar (41 psi)	12V	10 A	½" and ¾" hose	215 x 224 x 112 mm (8.4 x 8.8 x 4.4 inches)
02-02-007	WPS 4.0 24V				24V	5 A		

For WPS systems: install the WPS pump together with acc. Tank 02-66-022

### WPS 5.3

Part no.	Description	Capacity	No. of outlets	Pressure cutoff	Voltage	Fuse size	Quick Connection	Dimensions
02-02-008	WPS 5.3 12V	20 L/min (5.3 GPM)	1 to 6	2.8 bar (41 psi)	12V	15 A	½" and ¾" hose	215 x 224 x 112 mm (8.4 x 8.8 x 4.4 inches)
02-02-009	WPS 5.3 24V				24V	8 A		

For WPS systems: install the WPS pump together with acc. Tank 02-66-022



**albin pump**  
marine  
since 1928

# Wash Down

Albin Pump Marine WD300-Premium Series 3-chamber and WD500-Premium Series 5-chamber diaphragm Wash Down pumps for providing pressurized water on demand! Attach a spray nozzle for efficient deckwash or wash down duties!

- Easy to install
- Integrated extra heavy duty sealed pressure switch
- Smooth & Pulsation-free flow
- Quiet operation
- Self-priming WD 3.4 – 2 m (6.5 feet); WD 5.2 – 2.5 m (8.2 ft)
- Quick disconnect ports
- Connection with ½" hose
- Click-on 40 µm-mesh strainer included
- Composite base mount for even quieter operation (WD 3.4)
- Manufactured according to CE standard; EN55014-1, ISO 88461 & ISO10133. Under approval

## WD300-Premium Series 3-Chamber Wash Down Pumps

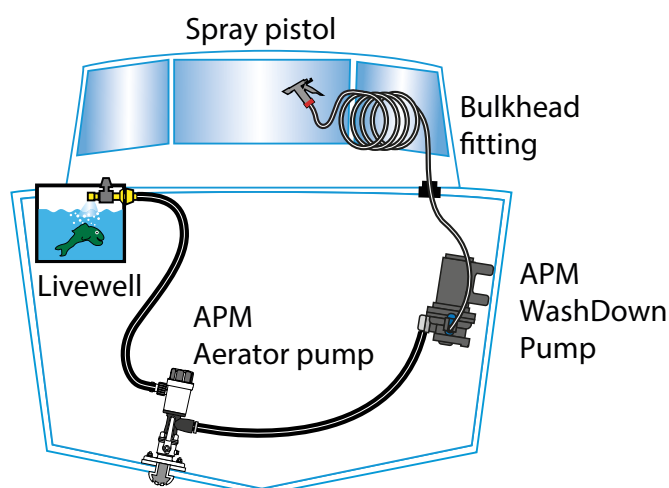
### WD 3.4

Part no.	Description	Capacity	Pressure cutoff	Voltage	Fuse size	Quick Connection	Dimensions
02-04-014	WD 3.4 12V	12.9 L/min (3.4 GPM)	5 bar (70 psi)	12V	15 A	½" hose	245x219x105 mm (9.6x8.6x4.1 inches)

## WD500-Premium Series 5-Chamber Wash Down Pumps

### WD 5.2

Part no.	Description	Capacity	Pressure cutoff	Voltage	Fuse size	Quick Connection	Dimensions
02-04-015	WD 5.2 12V	20 L/min (5.2 GPM)	5 bar (70 psi)	12V	20 A	½" hose	215x224x112 mm (8.5x8.8x4.4 inches)
02-04-016	WD 5.2 24V			24V	10 A		



# Accessories / Spare Parts



## Premium Accumulator Tank

Accumulator and pulsation dampering tank for water pressure systems. Premium solution for a maximum smoothness of flow system. New, patent pending design for fully realizing the dampening of vibrations / water hammering often experienced in the pipe work of water pressure systems.

- Corrosion free
- Patent pending.

Part no.	Capacity	Dimensions	Connections
02-66-022	0.85 L (0.22 gal)	125 x 125 x 230 mm (5 x 5 x 9 inches)	½" hose or ¾" female thread



## WPS/WD Inlet Strainer 40 µm Mesh

Protect your pump to ensure long service life and optimal performance. Inlet strainer 40 µm-mesh with universal quick connect for WPS/ WD pump inlets.

- Easily removable cover for regular maintenance

Part no.	Strainer mesh	Connections
02-99-023	40 µm	Quick connections for Albin Pump Marine WPS/WD pumps





## 03\_Waste Water Systems

Pumps and systems including everything needed for trouble free waste water management onboard. Demanding product specifications to provide extra comfort and to avoid waste water handling problems. High capacity macerator pump shreds the waste before pumping out, diaphragm pumps in different configurations provide a safe year on year grey and black water transport.





## 03\_Waste Water Systems

Waste Water Diaphragm Pumps .....	19
Macerator Pump .....	20
Complete Waste Water Tank Kits.....	21
Accessories .....	22

# Waste Water Diaphragm Pumps

Single chamber, self priming, diaphragm pumps for grey or bilge water.

- Shower drain, transfer or pump out
- Flexible installation with 360 degree rotational ports
- Quiet operation
- Low power consumption
- Operates with no need for filter
- Can run dry without to damage the pump

## Waste Water Diaphragm Pump 22L

Part no.	Type	Capacity	Voltage	Fuse size	Connections	Dimensions LxWxH	Interchangeable with
03-01-001	Bilge / Grey water; shower drain, transfer or pump out; self-priming up to 2.5 m (8 ft)	22 L / min (5.8 GPM)	12V	4.5 A	19 mm (¾") and 25 mm (1") straight connectors	305 x 195 x 125 mm (12 x 6.5 x 4.9 in)	Johnson Pump 10-13350-03, Jabsco 50880-1000, Whale Gulper 220-12V
03-01-002			24V	2.5 A			Johnson Pump 10-13350-04, Jabsco 50880-1100, Whale Gulper 220-24V

## Waste Water Diaphragm Pump 32L

Part no.	Type	Capacity	Voltage	Fuse size	Connections	Dimensions LxWxH	Interchangeable with
03-01-003	Waste water, Black Water transfer or pump out; self-priming up to 2.5 m (8 ft)	32 L / min (8.5 GPM)	12V	6 A	38mm (1½") straight and 90° rotational connectors	355 x 195 x 125 mm (14 x 6.5 x 4.9 in)	Johnson Pump 10-13373-03, Jabsco 50890-1000, Whale Gulper 320-12V
03-01-004			24V	3 A			Johnson Pump 10-13373-04, Jabsco 50890-1100, Whale Gulper 320-24V

## Compact Waste Water Diaphragm Pump 22L

Part no.	Type	Capacity	Voltage	Fuse size	Connections	Dimensions LxWxH
03-01-015	Compact design Bilge / Grey water; shower drain, transfer or pump out; self-priming up to 2.5 m (8 ft)	22 L / min (5.8 GPM)	12V	4.5 A	19 mm (¾") and 25 mm (1") straight connectors	190 x 245 x 125 mm (7.5 x 9.6 x 4.9 in)
03-01-016			24V	2.5 A		

# Macerator Pump

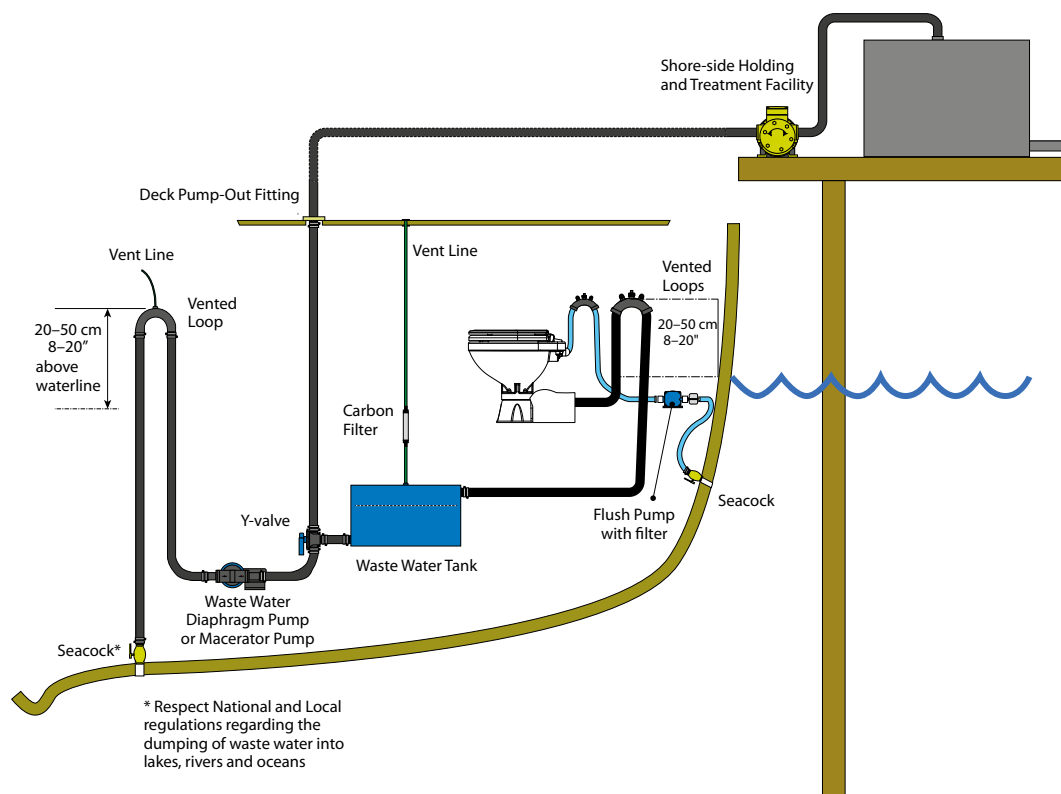
The Albin Pump Marine Macerator Pump is equipped with a rotary cutter for shredding toilet waste – directly from the marine toilet or septic holding tank – and a high capacity, self-priming impeller pump for discharging toilet waste water.

- Shred toilet waste before pumping into septic holding tank or when emptying the septic tank at a dockside facility
- Shredded toilet waste is easily pumped through a 25 mm (1") discharge hose
- Self-priming ability allows the pump to be located above the holding tank. For best efficiency, locate the pump as close to the holding tank as possible.
- For intermittent use only; do not run for more than 15 minutes at a time. Approximately 1 to 2.5 minutes operation will empty holding tanks from 30 L (8 gal) to 100L (26 gal) tank.
- Must not be permitted to run dry for more than 30 seconds
- Replacement Impeller Albin Pump Marine part number 06-01-009



## Macerator Pump 43L

Part no.	Type	Capacity	Voltage	Fuse size	Connections	Dimensions	Interchangeable with
03-01-005	Bilge / Grey water; shower drain, transfer or pump out; self-priming up to 2.5 m (8 ft)	43 L / min (11.5 GPM)	12V	12 A	Inlet port: 1½" hose (38 mm) or 1½" BSP Outlet port: 1" hose (25 mm)	240 x 130 x 90 mm (9.5 x 5.1 x 3.5 inches)	Johnson Pump 10-24453-04 Jabco 18590-2092
03-01-006			24V	7 A			Johnson Pump 10-24453-05 Jabco 18590-2094





# Complete WasteWater Tank Kits



Albin Pump Marine offers two sizes of Black Water tank kits; complete with either a Waste Water Diaphragm Pump or a Macerator Pump, ready for easy installation!

- 47 L (12.5 gal) or 72 L (19 gal) rectangular tanks of linear, low density polyethylene, which is the best suited material for holding tanks because of resistance to corrosion and odor permeation.
- 32 L Waste Water Diaphragm Pump or Macerator Pump 43 L
- Included gas vent, active carbon filter, control panel and probe for level control.

## 47L Waste Water Tank CPL Diaphragm

Part no.	Pump Type	Capacity	Voltage	Included in Kit	Dimensions L x H x W	Weight
03-02-007	32 L Diaphragm Pump	47 L (12.5 gal)	12V	gas vent, active carbon filter, control panel and probe for level control	480 x 330 x 400 mm (19 x 13 x 15.75 in)	19 Kg (42 lbs)

## 72L Waste Water Tank CPL Diaphragm

Part no.	Pump Type	Capacity	Voltage	Included in Kit	Dimensions L x H x W	Weight
03-02-008	32 L Diaphragm Pump	72 L (19 gal)	12V	gas vent, active carbon filter, control panel and probe for level control	700 x 300 x 400 mm (27.5 x 11.8 x 15.75 in)	20 Kg (44 lbs)

## 47L Waste Water Tank CPL Macerator

Part no.	Pump Type	Capacity	Voltage	Included in Kit	Dimensions L x H x W	Weight
03-02-009	Macerator 43 L Pump	47 L (12.5 gal)	12V	gas vent, active carbon filter, control panel and probe for level control	480 x 330 x 400 mm (19 x 13 x 15.75 in)	24 Kg (52 lbs)
03-02-027			24V			

## 72L Waste Water Tank CPL Macerator

Part no.	Pump Type	Capacity	Voltage	Included in Kit	Dimensions L x H x W	Weight
03-02-010	Macerator 43 L Pump	72 L (19 gal)	12V	gas vent, active carbon filter, control panel and probe for level control	700 x 300 x 400 mm (27.5 x 11.8 x 15.75 in)	25 Kg (55 lbs)
03-02-028			24V			

# Accessories

Complement your Waste Water System with Albin Pump Marine Active Carbon Filters and waste tank Level Monitoring equipment.

## Active Carbon Filter

To facilitate the dispersal of gases built up in the waste tank and the ease of emptying, the tank must be ventilated. The Active Carbon Filter will absorb heavier-than-air gases associated with organic waste and eliminate a source of malodor from the vent at the exterior of the boat.

- Adjustable ports

Part no.	Port sizes	Weight
03-66-011	16 – 19 – 25 mm ( $\frac{3}{8}$ – $\frac{3}{4}$ – 1 in) adjustable ports	0.15 Kg (0.25 lbs)

## Tank Level Indicator Kit 12/24V

Level indication panel and tank probes in stainless steel for waste water tank.

- 3 scale LED to indicate when tank is almost full and full.
- Both probe holder and panel have VDO connections

Part no.	Voltage	Included in Kit
03-66-012	12V / 24V	indicator panel, stainless steel probes and wiring

## Digital Tank Level Monitor Kit 12/24V

12/24V Digital fluid level sensor for plastic holding tanks on marine, RV and agricultural applications.

- Sensor monitors the liquid level from the outside of the tank
- Can be wired for detecting either low liquid level or high liquid level
- Sensor can be wired to the LED indicator panel, audio buzzer or relay to remote signaling device.
- Time delay on activation and deactivation to counter false signals due to sloshing of the liquid in the tank

Part no.	Voltage	Included in Kit
03-69-017	12V / 24V	305 mm (12") wire leads, display panel 12/24V with LED indicator light 12/24V, fuses and fuse holder.

See also 07\_Marine Toilets for Albin Pump Marine's selection of Vented loops and Y-valves!





## 04\_General Purpose Pumps

Purpose pumps can manage a wide variety of pumping needs onboard. The flexible impeller pump (FIP) range is ideally used for dockside services as fueling, oil change, and transfer of various liquids or ballast pumping. Gear pumps are suitable for viscous liquids like oil, diesel or antifreeze. Self-priming and can run dry. Designed to be interchangeable with same type pumps from competitor brands. 2 years limited warranty





## 04\_General Purpose Pumps

DC Impeller and Ballast Pumps .....	25
Gear Pumps .....	26
Accessories .....	27



# DC Impeller Pumps

Albin Pump Marine FIP DC Pumps are self-priming with reversible flow direction – ideal for dockside services such as bilge and deckwash pumps, refueling pumps for diesel and oils as well as for fresh water and ballast pumping.

- Rugged Flexible Impeller General Purpose Pumps in Thermo polymer or brass bodies, stainless steel shafts and Premium oil-resistant impeller
- Self priming up to 3 meter – 9.8 ft.
- Reversible flow by simply changing the polarity
- Small bilge debris present no problems for APM FIP DC Pumps.
- Flexible impeller pumps must not be permitted to run dry for more than 30 seconds
- Keep your FIP pumps running optimally by inspecting the Nitrile impeller before each season and, if necessary, replace with Albin Pump Marine replacement Impeller part number 06-01-009



## FIP F2

Part no.	Capacity	Voltage	Fuse size	Connections	Dimensions	Interchangeable with
04-01-001	30 L/min (8 GPM)	12V	8 A	19 mm (¾") hose	160x120x90 mm (6.3x4.7x3.5 inches)	Johnson Pump 10-24886-01 Jabsco 23670-4003
04-01-002		24V	4 A			Johnson Pump 10-24886-02 Jabsco 23671-4103



## FIP F3

Part no.	Capacity	Voltage	Fuse size	Connections	Dimensions	Interchangeable with
04-01-003	35 L/min (9.3 GPM)	12V	8 A	19 mm (¾") hose	160x120x90 mm (6.3x4.7x3.5 inches)	Johnson Pump 10-24516-01 Jabsco 23680-4003
04-01-004		24V	4 A			Johnson Pump 10-24516-02 Jabsco 23680-4103



## FIP F4

Part no.	Capacity	Voltage	Fuse size	Connections	Dimensions	Interchangeable with
04-01-005	45 L/min (12 GPM)	12V	12.5A	19 mm (¾") hose ½" BSP	180x120x90 mm (7x4.7x3.5 inches)	Johnson Pump 10-24689-01 Jabsco 23610-3003
04-01-006		24V	6 A			Johnson Pump 10-24689-02 Jabsco 23610-3103

## Ballast Pump F4

Albin Pump Marine's DC Ballast Pump FIP F4 have reversible flow direction and are self-priming – making them ideal for fast ballast pumping for wake boarding and other water sports

- Reversible, ideal for ballast pumping of water between tanks, refuelling and dockside services, protected against ignition of surrounding flammable gases ISO 8846,
- Pump body in brass, stainless steel shaft, ballast MC19 impeller and PTFE mechanical seal
- Keep your FIP pumps running optimally by inspecting the ballast impeller before each season and, if necessary, replace with Albin Pump Marine replacement Impeller part number 06-04-036

Part no.	Capacity	Voltage	Fuse size	Connections	Dimensions	Interchangeable with
04-04-013	12 GPM (45 L/min)	12V	16 A (25 A with reversing switch)	19 mm (¾") hose ½" BSP	180x120x90 mm (7x4.7x3.5 inches)	Johnson Pump 10-24689-01 Jabsco 23610-3003
04-04-014		24V	15 A (15 A with reversing switch)			Johnson Pump 10-24689-02 Jabsco 23610-3103



Premium Ballast Impeller 06-04-036



# Gear Pumps

## Gear Pumps

Light and compact DC gear pump suitable for transfer of oil, diesel, antifreeze, water and other viscous liquids.

- Self-priming
- Reversible
- Rated for continuous duty
- Can be run dry
- Pump body in PTFE

Part no.	Capacity	Voltage	Fuse size	Connections	Dimensions
04-02-007	12 L/min (3.2 GPH) @ engine oil temp	12V	6 A	13 mm (1/2")	140 x 90 x 80 mm (5.5 x 3.5 x 3.2 inches)
04-02-008	40° C / 105° F	24V	3 A		

## Gear Pump Oil Change Kits

Light and compact DC gear pump particularly suitable for oil change or removal/change of other viscous liquids in tight spaces.

- Hose set (6 mm and 8 mm), hose connection, wires 1.8 m (6 ft), fuse and battery clamps included
- Self-priming
- Reversible for both filling and emptying
- Rated for continuous duty
- Can be run dry
- Pump body in PTFE

Part no.	Capacity	Voltage	Fuse size	Connections	Dimensions
04-03-009	12 L/min (3.2 GPH) @ engine oil temp	12V	6 A	13 mm (1/2")	140 x 90 x 80 mm (5.5 x 3.5 x 3.2 inches)
04-03-010	40° C / 105° F	24V	3 A		

# Accessories



Complement your General Purpose Pumps with Albin Pump Marine Oil Change Hose Kit.

## Oil Change Hose Kit

Hose kit, suitable for FIP and Gear Pumps, oil change or any other pump in/out purpose.

- 6 mm and 8 mm with hose connections

Part no.	Connections
04-66-015	6 mm and 8 mm



## 05\_Self-Priming FIP Pumps

Albin Pump Marine flexible impeller pumps are designed to handle most commercial and pleasure boats needs for raw water applications. The self-priming ability makes FIP pumps being the right choice for engine cooling, bilge pumping and deck wash. The pumps have a long life due to the heavy duty design and ensure correct cooling flow with Albin Pump Marine premium Impellers.



[www.albinpumpmarine.com](http://www.albinpumpmarine.com)  
[info@albinpumpmarine.com](mailto:info@albinpumpmarine.com)



## 05\_Self-Priming FIP Pumps

Engine Cooling Pumps.....	30
Volvo Penta Engine Cooling Pumps.....	30
Volvo Penta High Speed Engine Cooling Pumps .....	32
Crankshaft Engine Cooling Pumps.....	33
Yanmar Engine Cooling Pumps .....	33
Scania Engine Cooling Pumps .....	34
Pedestal Electro-Magnetic Clutch Pumps .....	34
Electro-Magnetic Clutches and Coils.....	35
Accessories .....	36

# Engine Cooling Pumps

Albin Pump Marine flexible impeller pumps are designed to handle most commercial and pleasure boats needs for raw water applications. The self-priming ability makes FIP pumps being the right choice for engine cooling, bilge pumping and deck wash. The pumps have a long life due to the heavy duty design and ensure correct cooling flow with Albin Pump Marine premium Impellers.

## Volvo Penta Engine Cooling Pumps

Part no.	Impeller	Engine models	Replaces pump
05-01-001	06-01-021	AD31/41/43, TAMD31/41/42, KAD32/42/44, KAMD42/43/44 (3583115/3581558), AD31/41, MD31, TMD31/41, TAMD31/41/42, KAD32/42/43/44, KAMD42/43/44(860629)	VOLVO 3583115 (Old, 3581558, 860629) (Imp 21951356, Old 3841697, 21422647) JOHNSON 10-24524-01 (VP 338115) 10-24394-01 (VP 860629) (Imp 09-1028-01)

Part no.	Impeller	Engine models	Replaces pump
05-01-002	06-02-028	MD 100/100A/120/120A, TMD 100/100A/120/120A121C/122A, TAMD 120/120A/121C/122A/122P	VOLVO 3829311 (Old, 846354) (Imp 21730344, Old 875736) JOHNSON 10-21915 (Imp 09-1029B)

Part no.	Impeller	Engine models	Replaces pump
05-01-003	06-02-031	3829312-TAMD 102A/122A/120B/122C/122D, 3829313-TAMD 102A/102D/103A/122P	VOLVO 3583112 (Old, 845189) , 3829313(Old, 866396) (Imp 875814) JABSCO 10590-0041 (Imp 17936-0001)

Part no.	Impeller	Engine models	Replaces pump
05-01-004	06-02-031	TAMD 162A/162B/162C, 163A/163P, 65A/165C/165P	VOLVO 3837935 (Old, 3825493) (Imp Kit 21951364) JOHNSON 10-13166-01 (Imp 09-814B)

Part no.	Impeller	Engine models	Replaces pump
05-01-005	06-01-006	D1-13A/B/F, D1-20A/B/F	VOLVO 3593654 (Imp 22222936) (Old 21951344, 3593659) JOHNSON 10-24751-01 (Imp 09-1026B)

Part no.	Impeller	Engine models	Replaces pump
05-01-006	06-01-006	D1-30A/B/F, D2-40A/B/F	VOLVO 3593655 (Imp 22222936, old 21951344, 3593659) JOHNSON 10-24752-01 (Imp 09-1026B)

Part no.	Impeller	Engine models	Replaces pump
05-01-007	06-01-012	D2-55A/B/C/D/E/F, D2-75A/B/C/F	VOLVO 3583089 (Imp 21951346, old 3862281, 877400) JOHNSON N/A (Imp 09-1027B-1)

Part no.	Impeller	Engine models	Replaces pump
05-01-008	06-01-014	D3-110I, D3-130A/I, D3-160A/I, D3-190A/I	VOLVO 21141637 (Imp 21951352, old 21381693, 3593660) JOHNSON N/A (Imp 09-812BT-1)



# Engine Cooling Pumps



Part no.	Impeller	Engine models	Replaces pump
05-01-009	06-01-014	D3-110I-G, D3-140A/I, D3-150I-G, D3-170A/I-G, D3-200A/I-G, D3-220A/I-G	VOLVO 21379102 (Imp 21951352, old 21381693, 3593660) JOHNSON N/A (Imp 09-812BT-1)

Part no.	Impeller	Engine models	Replaces pump
05-01-010	06-02-023	D4-210/225/260/300	VOLVO 3584062 (Imp 3588475) Jabsco 50384-8000 (Imp 17937-0001)

Part no.	Impeller	Engine models	Replaces pump
05-01-011	06-01-021	D4-225A-E, D4-260A-E, D4-260D-E, D4-300A-E, D4-300D-E	VOLVO 21419374 (Imp 21951536, old 21422647 3841697) JOHNSON N/A (Imp 09-1028B)

Part no.	Impeller	Engine models	Replaces pump
05-01-012	06-02-024	D6-280A, D6-310A, D6-310D, D6-330A, D6-330D, D6-350A, D6-370A, D6-370D, D6-435D	VOLVO 21380890 (Old 3589907, Imp 3593573) Jabsco 50394-8300 (Imp 17018-0001)

Part no.	Impeller	Engine models	Replaces pump
05-01-013	06-01-020	D6-280A, D6-310A, D6-310D, D6-330A, D6-330D, D6-370A, D6-370D, D6-435D	VOLVO 21419376 (Imp 21951358, old 22000061, 21951358, 3887761) JOHNSON N/A (Imp 09-821BT-01)

Part no.	Impeller	Engine models	Replaces pump
05-01-014	06-01-021	D5A-A T/TA, D7A-A T/TA, D7C-A TA, D7A-B TA, D7C-B TA	VOLVO 3838288 (Imp 21951356, old 21422647, 3841697) JOHNSON 10-24580-01 (Imp 09-1028B)

Part no.	Impeller	Engine models	Replaces pump
05-01-015	06-02-024	D9A2A D9-425, D9-500, D9-500 (R4), D9-575, D9A2B, D9-425, D9-500 (R5), D9A2A D9A-MH, D9A2B D9-575, D9A2A MH, D9A2B MH, D9A2C D9A-MH, D9-425, D9A2D D9-500 (R5), D9A2E D9-425, D9A2F D9-575, D9A2A MP, D9A2B MP, D9A2C, D9A2D, D9A2E, D9A2F, D9A2G, D9A2H, D9A2J, D9A-J, D9A-K, D9A2K, D9A2L, D9-575, D11A-A, D11A-B, D11A-C, D11A-D, D11A-C (IPS), 11AD (IPS), D11A-E, D11A-E (IPS)	VOLVO 21380886 (Imp 21730348, old 3817587) JABSCO N/A (Imp 17018-0001)

Part no.	Impeller	Engine models	Replaces pump
05-01-016	06-02-027	D11A-A, D11A-B, D11A-C, D11A-D, D11A-C (IPS), D11A-D (IPS), D11A-E, D11A-E (IPS), D11B1-A MP, D11B2-A MP (IPS), D11B1-A MP, D11B2-A MP (IPS)	VOLVO 21219723 (Old 3819485, Imp 21730348, old 3817587) Jabsco N/A (Imp 17018-0001)

# Engine Cooling Pumps



Part no.	Impeller	Engine models	Replaces pump
05-01-017	06-02-024	D11B1-A MP, D11B2-A MP (IPS)	VOLVO 22063494 (Old 3819485), Imp 21730348, old 3817587) Jabsco N/A (Imp 17018-0001)

Part no.	Impeller	Engine models	Replaces pump
05-01-018	06-02-032	D12C/D	VOLVO 3838207 (Imp 3830459) Jabsco N/A (Imp 17938-0001)

Part no.	Impeller	Engine models	Replaces pump
05-01-019	06-02-032	D13B/C	VOLVO 3886848 (Imp 3830459) Jabsco N/A (Imp 17938-0001)

Part no.	Impeller	Engine models	Replaces pump
05-01-020	06-02-032	D16C-A MH, D16C-B MH, D16C-C MH	VOLVO 3589104 (Imp 3830459) Jabsco N/A (Imp 17938-0001)

## Volvo Penta High Speed Engine Cooling Pumps

Part no.	Impeller	Pulley type	Engine models	Replaces pump
05-01-040	06-01-037	V Belt Pulley, 2 Groove	4.3/ 5.0/ 5.7/ 4.3GL, 5.0GL, 5.7GL	VOLVO 21214596, old 3862487 (Imp 21951348, old 21213650, 21213660, 3855546, 3856039, 3858256, 3862567, 875811, 876243)

Part no.	Impeller	Pulley type	Engine models	Replaces pump
05-01-041	06-01-037	Serpentine Belt Pulley, 1 Groove	4.3/ 5.0/ 5.7L	VOLVO 21214599, old 3858230, 3812698 (Imp 21951348, old 21213650, 21213660, 3855546, 3856039, 3858256, 3862567, 875811, 876243)

Part no.	Impeller	Pulley type	Engine models	Replaces pump
05-01-042	06-01-037	Beltless pulley, crankshaft mounted pump	8.1L, V8	VOLVO 21214601, old 3860795, 3862484, 3812695 (Imp 21951348, old 21213650, 21213660, 3855546, 3856039, 3858256, 3862567, 875811, 876243)

Part no.	Impeller	Pulley type	Engine models	Replaces pump
05-01-043	06-01-014	Serpentine Belt Pulley, 1 Groove	4.3/ 5.0GL, 4.3/ 5.0/ 5.7GXi, 5.7Gi, V6-200/225, V8-225/270/300/350	VOLVO 21212799 (Imp 22307636, old 21212794, 21213664)

Part no.	Impeller	Pulley type	Engine models	Replaces pump
05-01-044	06-01-014	Beltless pulley crankshaft mounted pump	8.1Gi, 8.1IPS	VOLVO 21212800 (Imp 22307636, old 21212794, 21213664)

# Engine Cooling Pumps



Part no.	Impeller	Pulley type	Engine models	Replaces pump
05-01-045	06-01-014	V Belt Pulley, 2 Groove	4.3/ 5.0GL, 5.0GL-F, 5.0GL-FF	VOLVO 21255090 (Imp 22307636, old 21212794, 21213664)

## Crank Shaft Engine Cooling Pumps

Part no.	Impeller	Type	Engine models	Replaces pump
05-01-046	06-01-014	Crank Shaft Engine Cooling Pump	Converts pulley driven to crank shaft driven mount for Ford or GM V6/V8 marine engine blocks. PCM, Crusader, Mercruiser and more	JOHNSON F6B-9, Johnson Pump 10-24930-01, 10-24915-01, 10-24805-01, 10-24232-01 INDMAR 685001

## Yanmar Engine Cooling Pumps

Part no.	Impeller	Engine models	Replaces pump
05-01-021	06-01-020	6LY3-ETP, 6LY3-STP, 6LY3-UTP, 6LY3-STC, 6LY3-UTC, 6LY3-ETP 24, 6LY3-STP 24, 6LY3-UTP 24, 6LY3-STC 24, 6LY3-UTC 24	YM 119578-42501 (Imp 119578-42550)

Part no.	Impeller	Engine models	Replaces pump
05-01-022	06-01-020	6LY2 SERIES (6LY2-ST, 6LY2-STVY, 6LY2-WST, 6LY2-WDT, 6LY2-WDTZY, 6LY2M-WDT, 6LY2MMWST, 6LYA-STP, 6LYA-STE, 6LYA-UTE, 6LY2-STE, 6LY2A-STP, 6LY2A-UTP)	YM 119574-42502 (Imp 119574-42550)

Part no.	Impeller	Engine models	Replaces pump
05-01-023	06-01-014	6LP(A)-DTE(P), 6LP(A)-STE(P), 6LPA-STP2	YM 119773-42502 (Gear included, Imp 119773-42600)

Part no.	Impeller	Engine models	Replaces pump
05-01-025	06-01-012	4JH3-THE, 4JH3-DTE, 4JH3E, 4JH3CE, 4JH3CE1, 4JH3-TE, 4JH3-TCE, 3JH3E, 3JH3E(EPA), 3JH3CE, 4JH3-TE-YEU, 4JH3-DTE(YEU), 3JH3E-YEU-E, 4JH4-TE, 4JH4-THE, 4JH4-HTE1	YM 129670-42513 (Gear included, Imp 129670-42530). Replaces 129670-42500, 129670-42501, 129670-42510, 129670-42511, 129670-42512

Part no.	Impeller	Engine models	Replaces pump
05-01-026	06-01-012	4JH5E, 3JH4E, 4JH4E, 4JH4AE, 3JH5E, 4JH45, 4JH57, 4JH80, 4JH110)3JH5E	YM 129271-42502 (Gear included, Imp 129670-42531)

Part no.	Impeller	Engine models	Replaces pump
05-01-027	06-01-005	2GMF, 3GMF, 2YM, 3YM	YM 128397-42500, 128990-42500 (Imp 128397-42200) Johnson 10-24509-01, 10-13337, (Imp 09-810B-1)

# Engine Cooling Pumps



Part no.	Impeller	Engine models	Replaces pump
05-01-029	06-01-005	2GM, 3GM	YM 128377-42500 (Imp 128397-42200) Johnson 10-24509-02 (Imp 09-8108-1)

## Scania Engine Cooling Pumps

Part no.	Impeller	Engine models	Replaces pump
05-01-028	06-02-031	D9, DI12, DI13, DI16 SERIES	SCANIA 1785018 (Imp 323897) Johnson 10-24308-02 (Imp 08-814B)

# Pedestal Electro-Magnetic Clutch Pumps



## FIP40B-CD, 1½" Impeller Pump w/o Clutch

Part no.	Impeller	Replaces pump
05-02-030	06-02-028	Johnson Pump 10-13022-99, F8B-5001

## FIP50B-CD, 2" Impeller Pump w/o Clutch

Part no.	Impeller	Replaces pump
05-02-031	06-02-031	Johnson Pump 10-13027-99, F9B-5600

# Pedestal Electro- Magnetic Clutch Pumps



## Electro-magnetic Clutches

Part no.	Description
05-59-032	El-Magnetic Clutch, 12V 2xA 7" Pulley
05-59-033	El-Magnetic Clutch, 24V 2xA 7" Pulley

Part no.	Description
05-59-034	El-Magnetic Clutch, 12V 1xB 7" Pulley
05-59-035	El-Magnetic Clutch, 24V 1xB 7" Pulley

## Coil

Part no.	Description
05-59-036	Coil 12V for El-Magnetic Clutch
05-59-037	Coil 24V for El-Magnetic Clutch



# Accessories

Complement your General Purpose Pumps with Albin Pump Marine Vacuum Valves.

## Vacuum Valves

Correctly installed, a vacuum valve is a low cost insurance against water intrusion in the motor caused by siphoning effects in the exhaust pipe. Water intrusion in your motor can cause serious damage.

- Install above water line between heat exchanger and the exhaust hose
- Non-corrosive
- Proven design made of tough thermoplastic with rubber valve
- Easy to install



### Vacuum Valve 12 mm (1/2")

Part no.	Vacuum Valve connection size	Interchangeable with
05-69-033	12 mm (1/2")	Johnson Pump 09-47316-01



### Vacuum Valve 16 mm (5/8")

Part no.	Vacuum Valve connection size	Interchangeable with
05-69-034	16 mm (5/8")	Volvo Penta 21662701 (replaces old 827952, 828271, 828537, 833685, 833687, 838154, 838207) Johnson Pump 09-47316-02



### Vacuum Valve 19 mm (3/4")

Part no.	Vacuum Valve connection size	Interchangeable with
05-69-035	19 mm (3/4")	Volvo Penta 21662702 (replaces old 861497) Johnson Pump 09-47316-03



### Vacuum Valve 22 mm (7/8")

Part no.	Vacuum Valve connection size	Interchangeable with
05-69-036	22 mm (7/8")	Volvo Penta 21662703 Johnson Pump 09-47316-04



### Vacuum Valve 25 mm (1")

Part no.	Vacuum Valve connection size	Interchangeable with
05-69-037	25 mm (1")	Volvo Penta 21662704 (replaces old 3583738, 3843297) Johnson Pump 09-47316-05



### Service Kit Vacuum Valve

Part no.	Description
05-99-038	Service kit with rubber valve and screw cap. Same valve and cap for all sizes



## 06\_Replacement Impellers

A wide range of suitable replacement impellers for most engine cooling pumps and other FIP applications. The Albin Pump Marine impellers are one of the best impellers in the world. 2 year limited warranty. ISO 9001 quality guaranteed.



[www.albinpumpmarine.com](http://www.albinpumpmarine.com)  
[info@albinpumpmarine.com](mailto:info@albinpumpmarine.com)



# 06\_Replacement Impellers

Pleasure Boat Impellers.....	39
Commercial Boat Impellers.....	46
Special Impellers.....	52
Impeller Tools.....	53

# Pleasure Boat Impellers

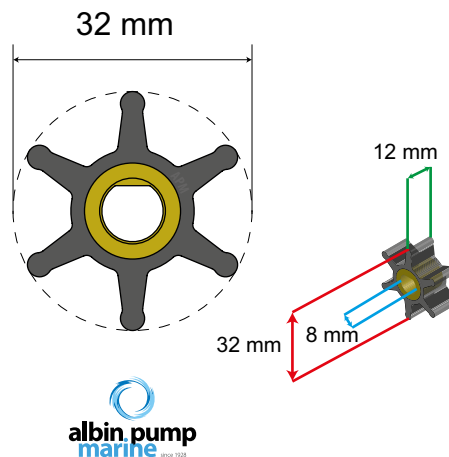
A wide range of suitable replacement impellers for most engine cooling pumps and other FIP applications. The Albin Pump Marine impellers are one of the best impellers in the world. 2 year limited warranty. ISO 9001 quality guaranteed.

## Pleasure Boat Impellers

**APM: 06-01-001**

Replaces the following impellers:

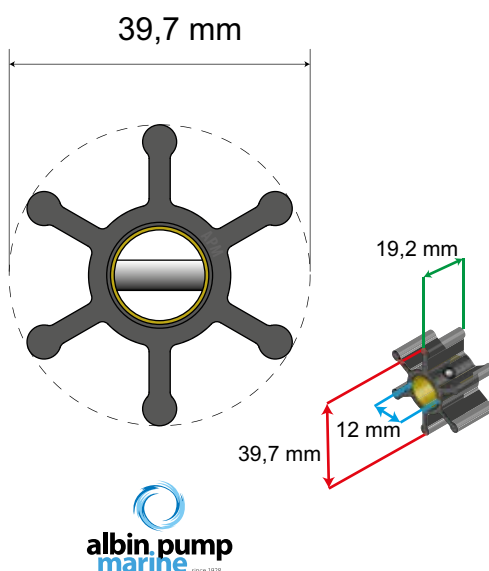
Jabsco	1414-001
Yanmar	124170-42070



**APM: 06-01-002**

Replaces the following impellers:

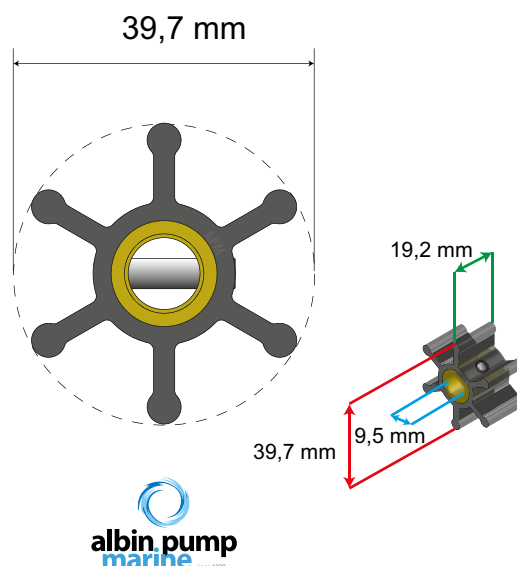
Jabsco	22405-001
Johnson	09-808B-1
Volvo Penta	875583



**APM: 06-01-003**

Replaces the following impellers:

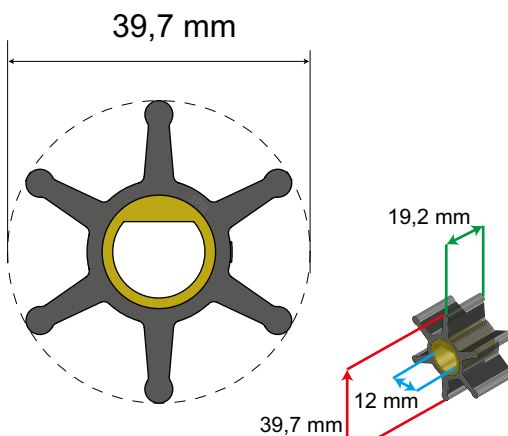
Jabsco	4528-0001
Johnson	09-806B-1
Sherwood	9979K
Volvo Penta	803729
Yanmar	104211-42070



# Pleasure Boat Impellers

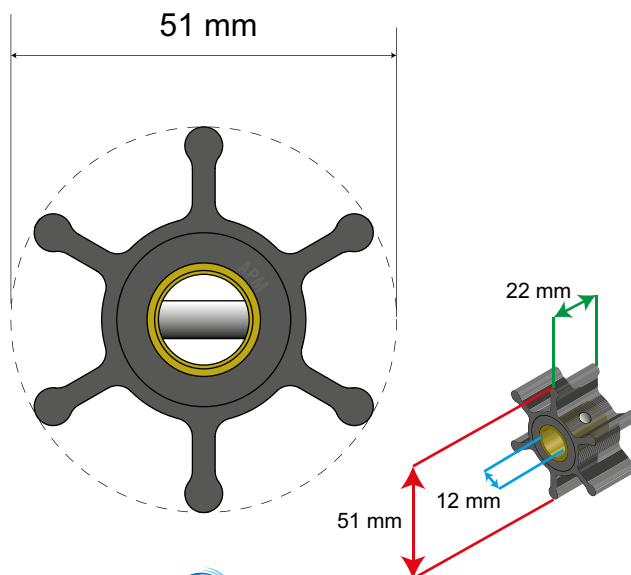
**APM: 06-01-004**

Replaces the following impellers:  
 Sherwood 08000K



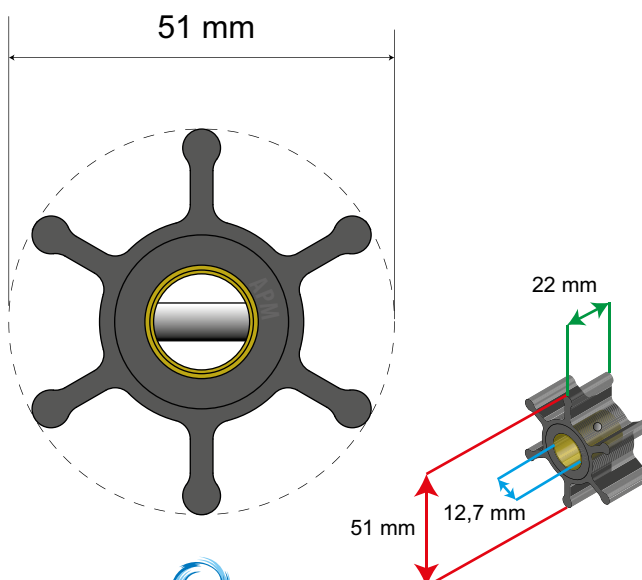
**APM : 06-01-005**

Replaces the following impellers:  
 Jabsco 653-0001  
 Johnson 09-810B-1



**APM: 06-01-006**

Replaces the following impellers:  
 Jabsco 673-0001  
 Johnson 09-1026B-1  
 Volvo Penta 3593659



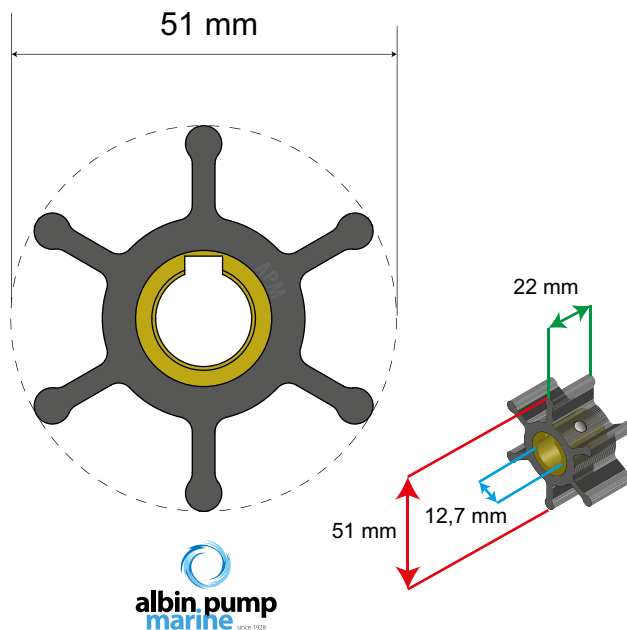


# Pleasure Boat Impellers

## APM: 06-01-007

Replaces the following impellers:

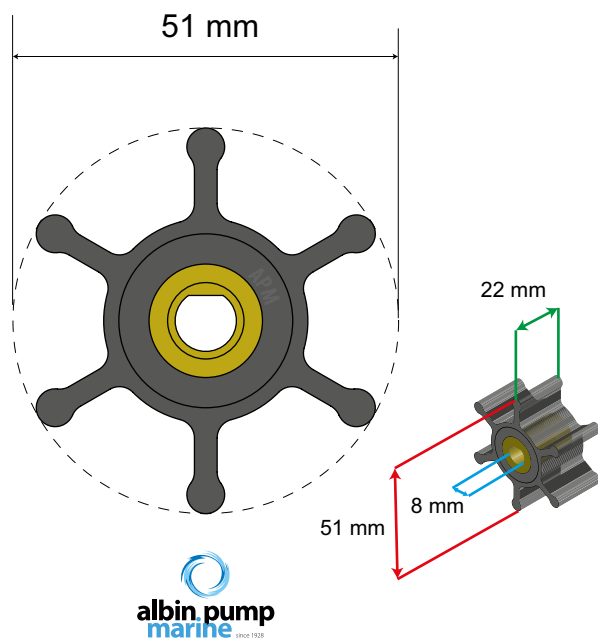
Jabsco 22799-0001  
 Yanmar 124223-42091



## APM: 06-01-008, 06-01-009

Replaces the following impellers:

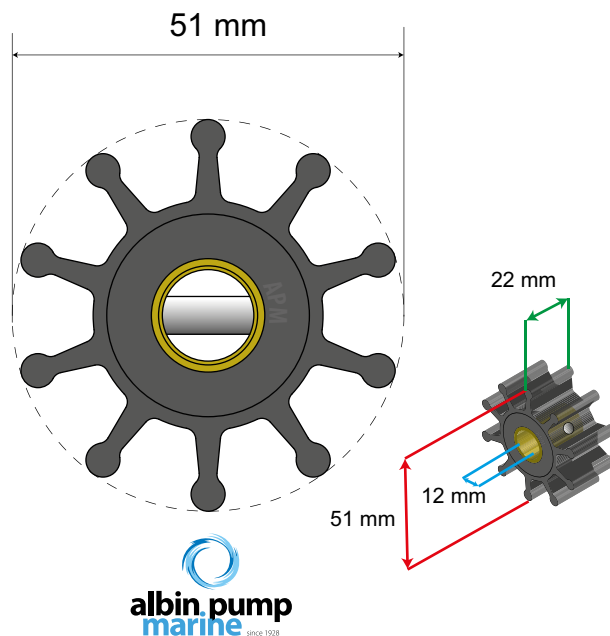
(06-01-008)	Jabsco	6303-0001
	Johnson	09-824P-1
(06-01-009)	Jabsco	6303-0003
	Johnson	09-824P-9



## APM: 06-01-010

Replaces the following impellers:

Jabsco 18653-0001

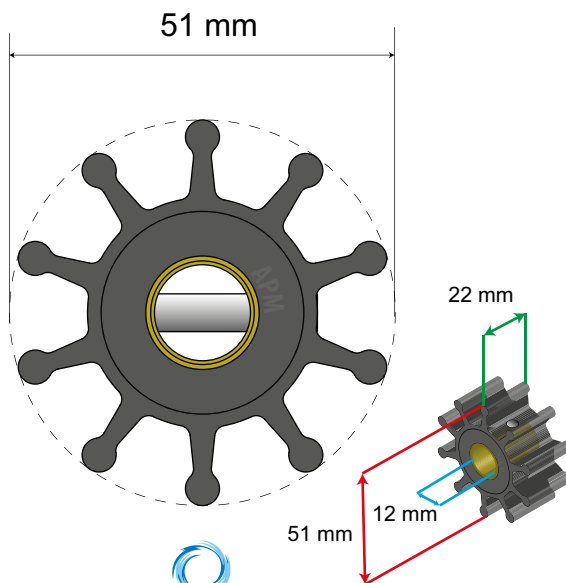


# Pleasure Boat Impellers

**APM: 06-01-011**

Replaces the following impellers:

Jabsco 18673-0001



**APM: 06-01-012**

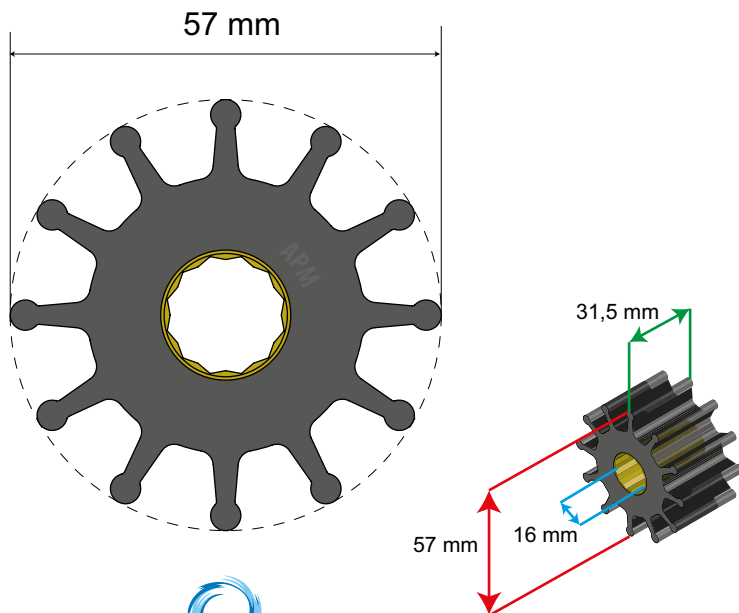
Replaces the following impellers:

Jabsco 1210-0001

Johnson 09-1027B-1

Volvo Penta 825940

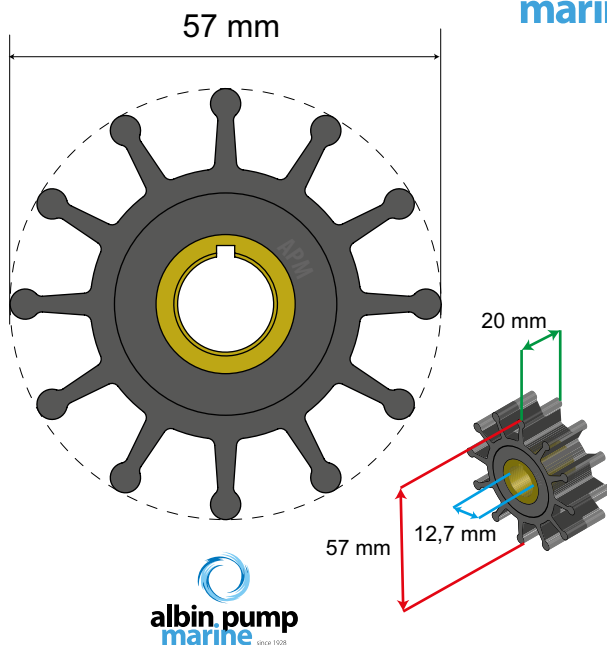
Yanmar 129470-42530



**APM: 06-01-013**

Replaces the following impellers:

Sherwood 10077K

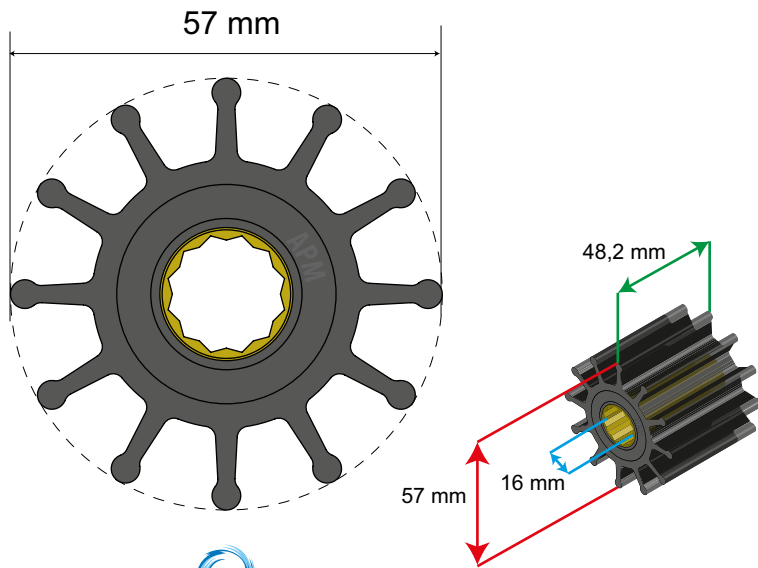


# Pleasure Boat Impellers

## APM: 06-01-014

Replaces the following impellers:

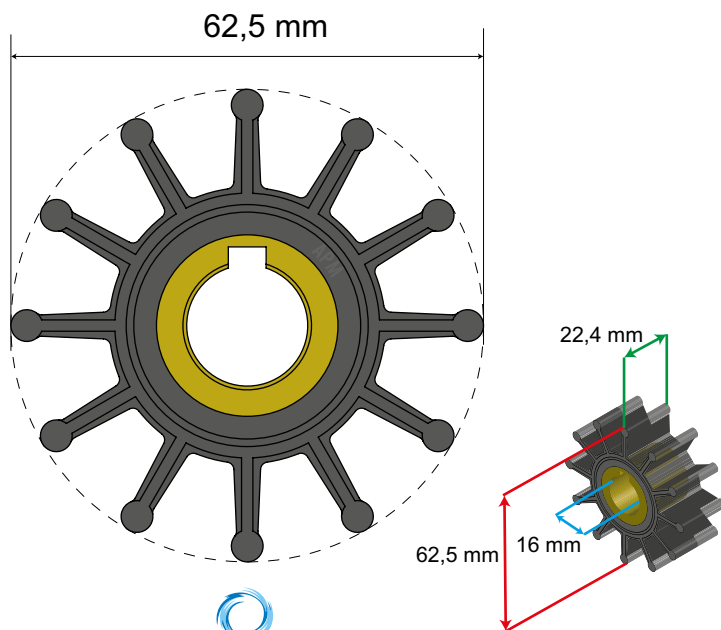
- Jabsco 13554-0001
- Johnson 09-812B-1
- Volvo Penta 3588914



## APM: 06-01-015

Replaces the following impellers:

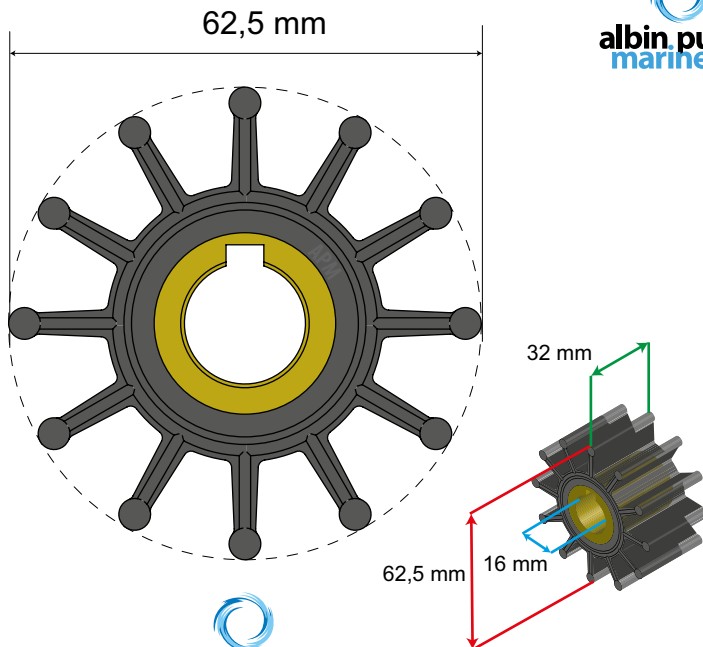
- Sherwood 09000K



## APM: 06-01-016

Replaces the following impellers:

- Jabsco 18838-0001
- Johnson 09-701B-1
- Sherwood 9959K

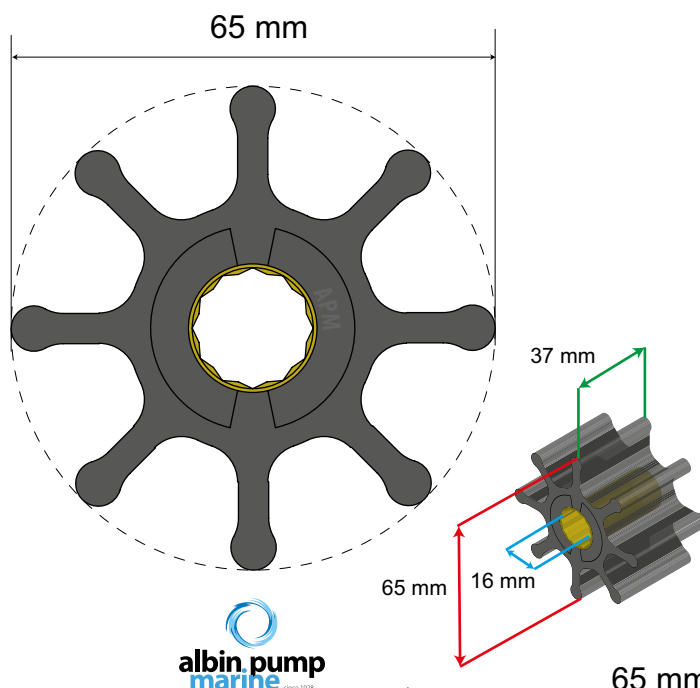


# Pleasure Boat Impellers

## APM: 06-01-017

Replaces the following impellers:

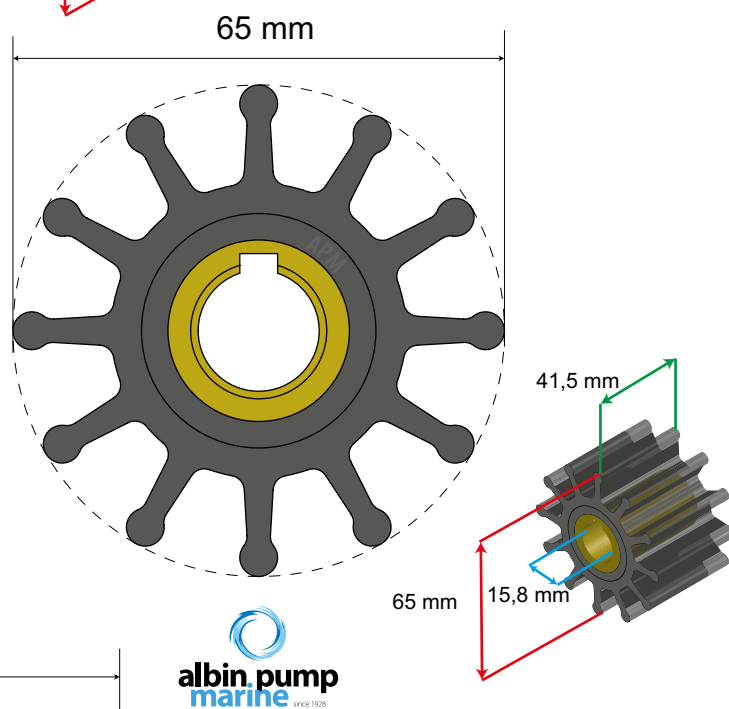
Jabsco 11979-0001  
 Yanmar 122610-42021



## APM: 06-01-018

Replaces the following impellers:

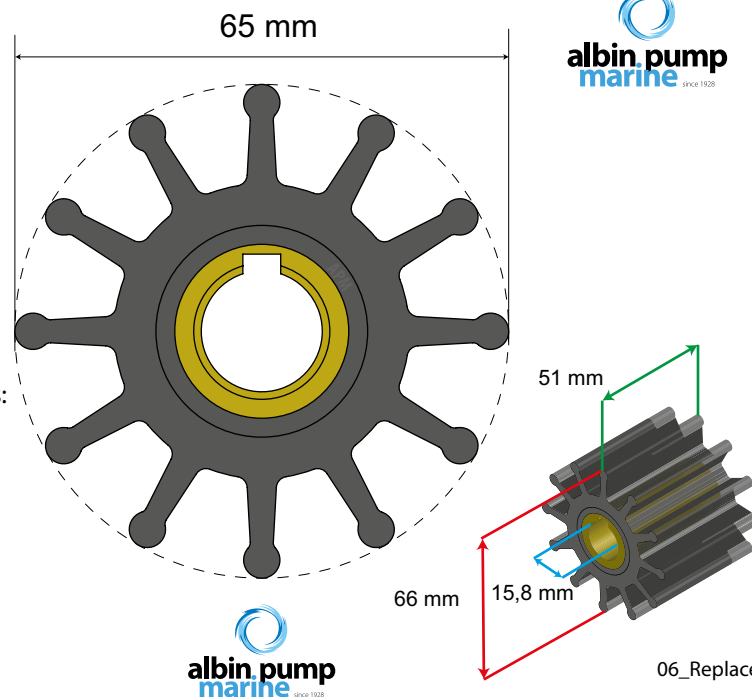
Jabsco 18948-0001  
 Johnson 09-702B-1  
 Sherwood 10615K



## APM: 06-01-019

Replaces the following impellers:

Jabsco 18327-0001  
 Sherwood 15000K

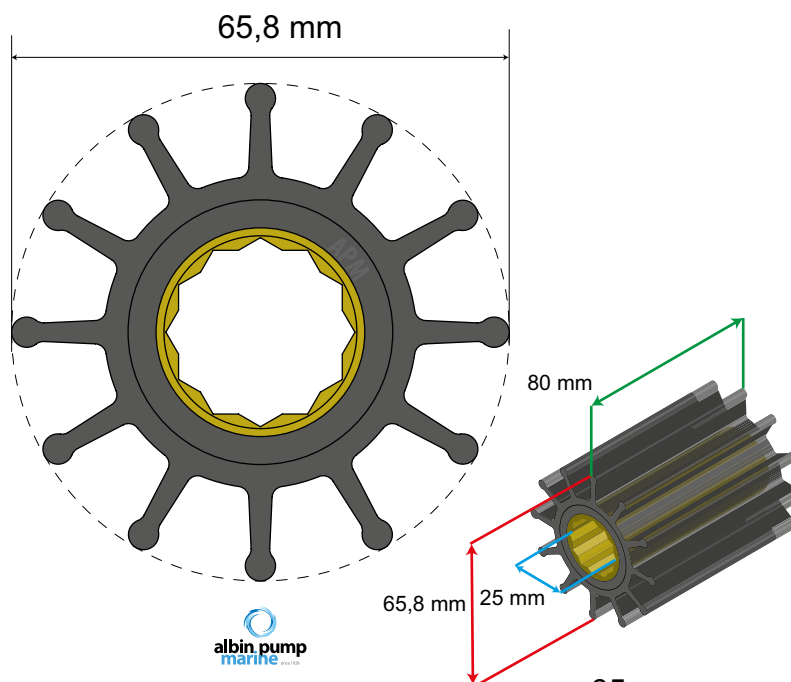


# Pleasure Boat Impellers

## APM: 06-01-020

Replaces the following impellers:

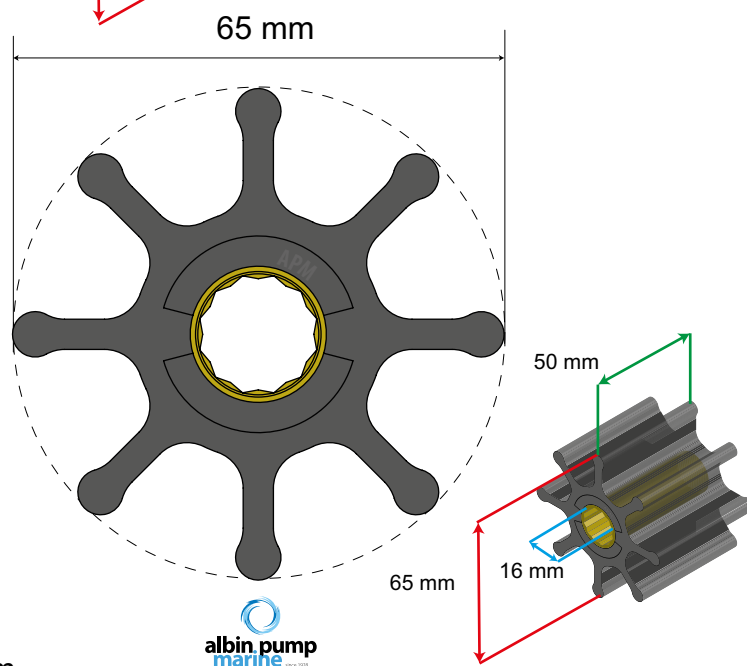
Johnson	09-821BT-1
Volvo Penta	876771
Yanmar	119574-42550



## APM: 06-01-021

Replaces the following impellers:

Jabsco	920-0001
Johnson	09-1028B-1
Sherwood	18200K
Volvo Penta	877061
Yanmar	123325-42020

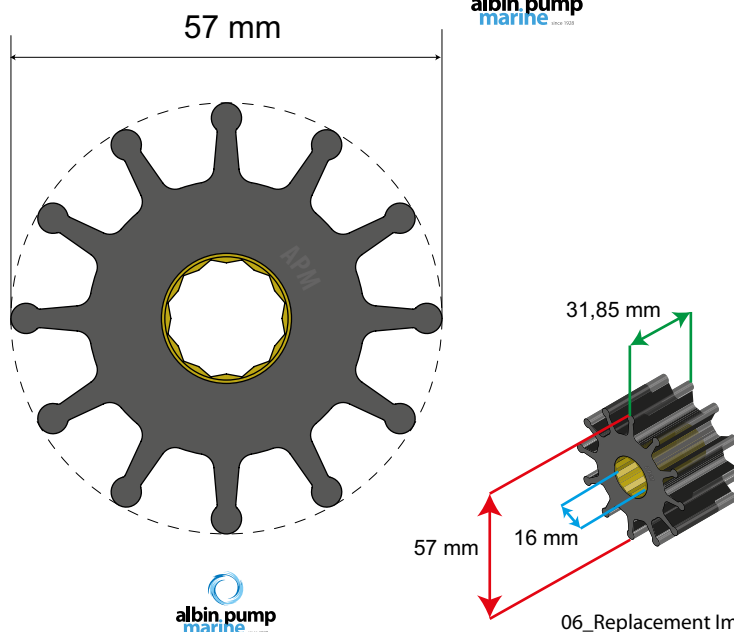


## APM : 06-01-037

0,35 mm wider than the impeller 06-01-012

Replaces the following:

Johnson	09-1027B-10
Volvo Penta	21213650





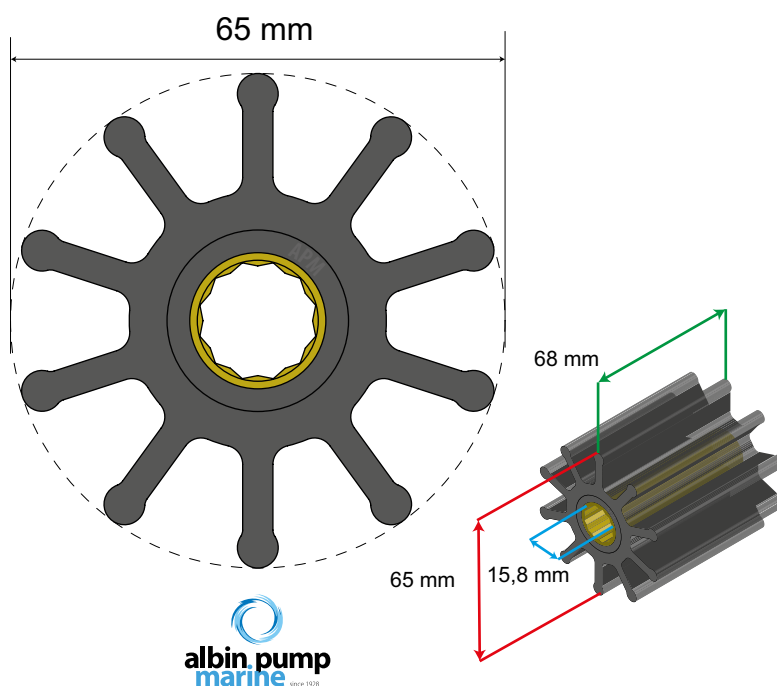
# Commercial Boat Impellers

## Commercial Boat Impellers

APM: 06-02-022

Replaces the following impellers:

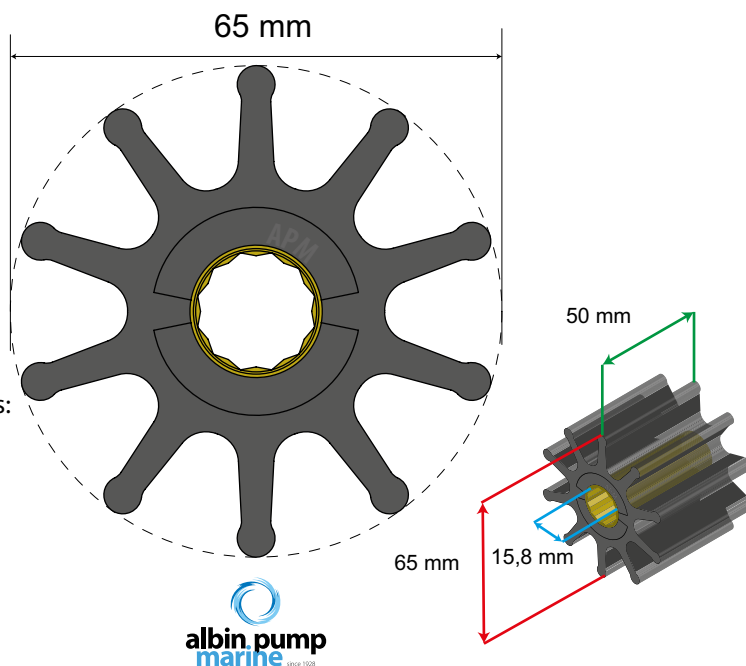
Jabsco	09-821BT-1
JMP	7420-01



APM: 06-02-023

Replaces the following impellers:

Jabsco	17937-0001
JMP	7426-01
Volvo Penta	3588475

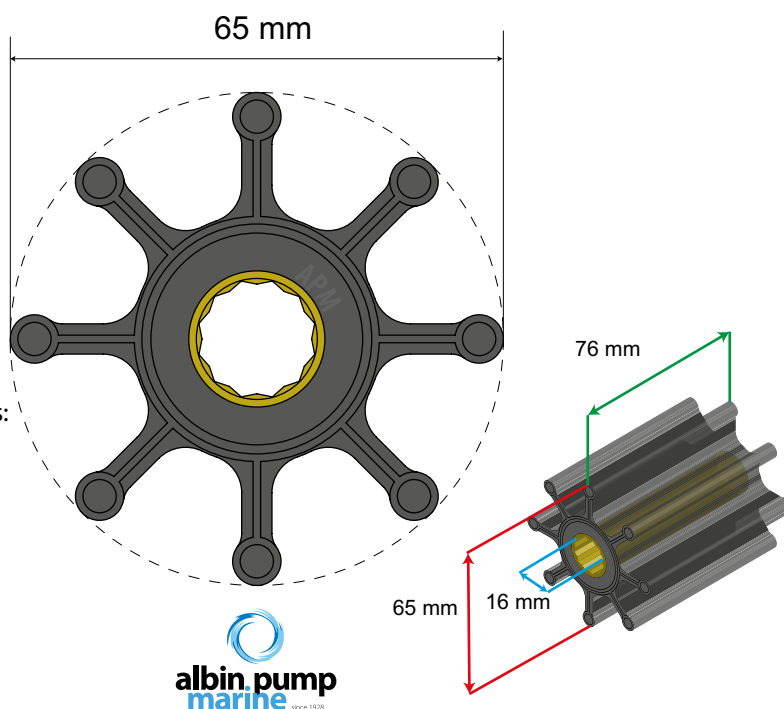


# Commercial Boat Impellers

APM: 06-02-024

Replaces the following impellers:

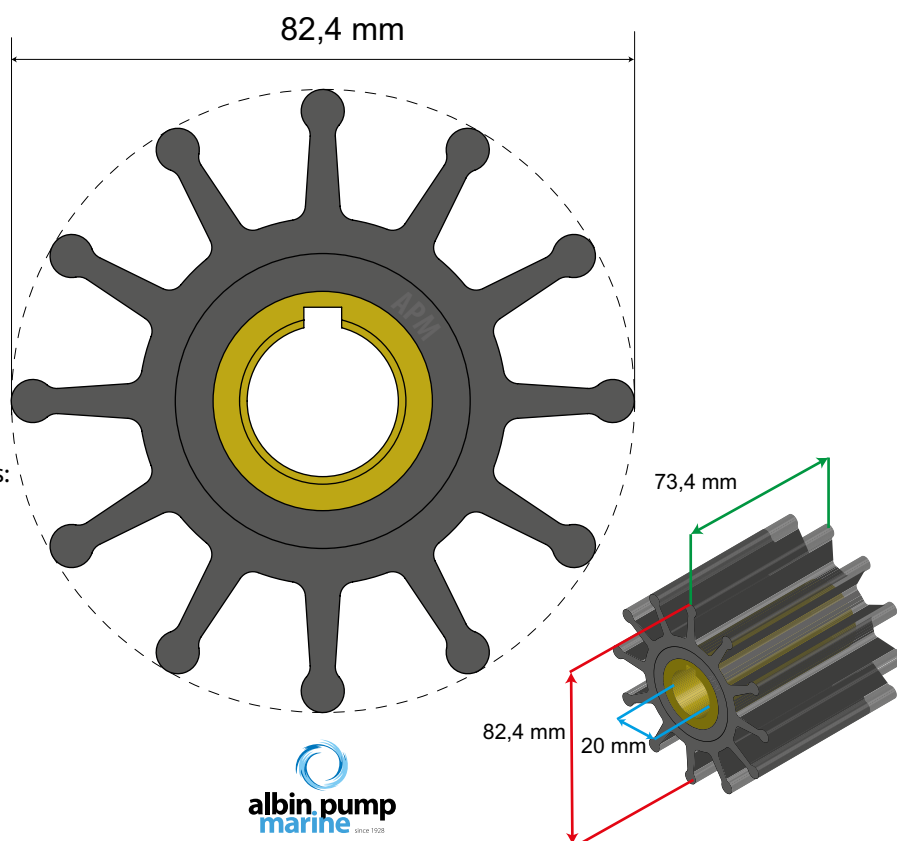
Jabsco	17018-0001
JMP	7446-01
Volvo Penta	3593573



APM: 06-02-025

Replaces the following impellers:

Jabsco	18958-0001
JMP	7600-01
Johnson	09-704BT-1
Sherwood	17000K

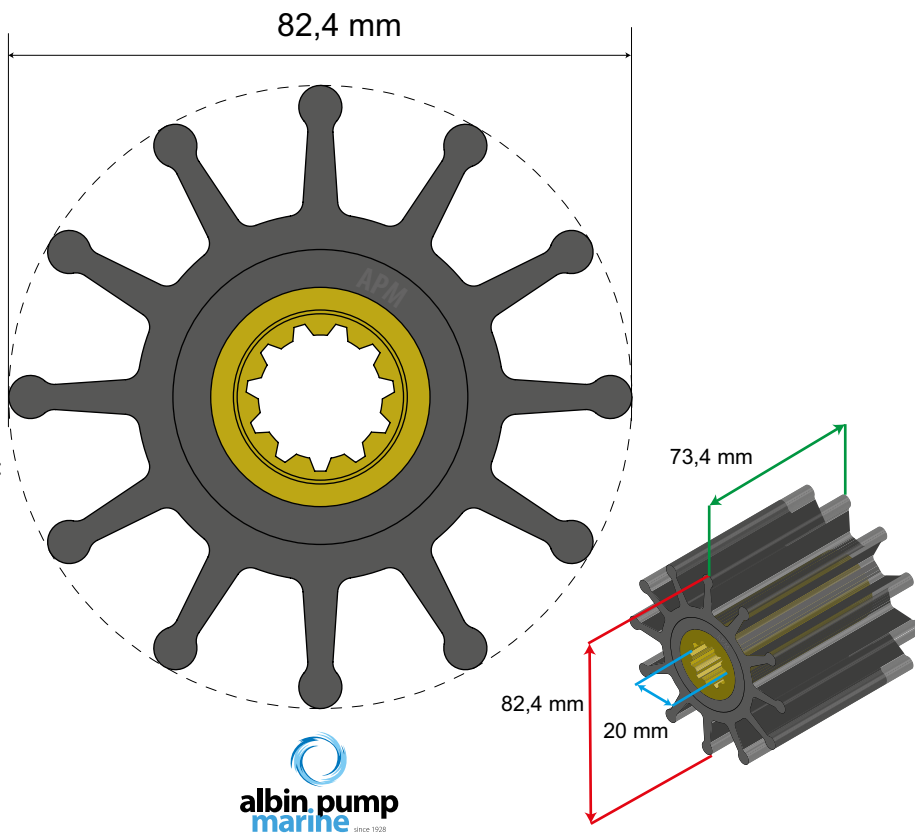


# Commercial Boat Impellers

## APM: 06-02-026

Replaces the following impellers:

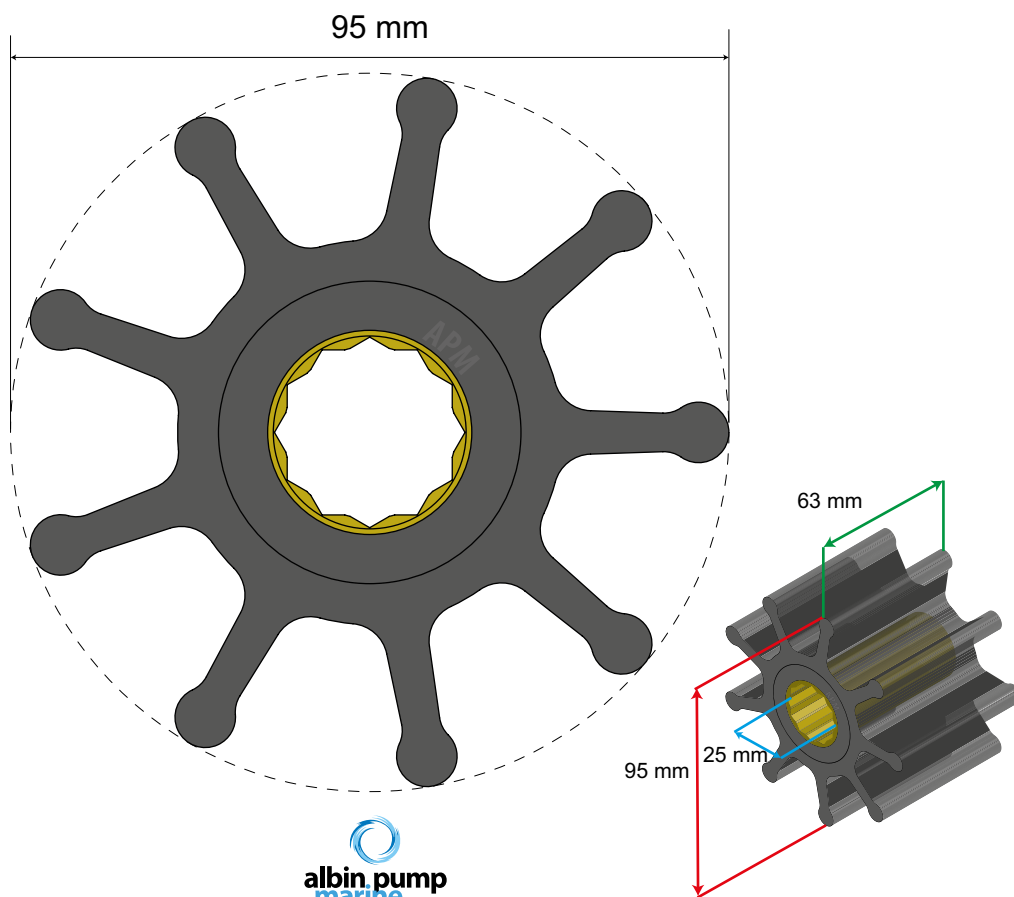
- JMP 7608-01
- Sherwood 27000K



## APM: 06-02-027

Replaces the following impellers:

- Jabsco 836-0001
- JMP 8000-01
- Johnson 09-1029B

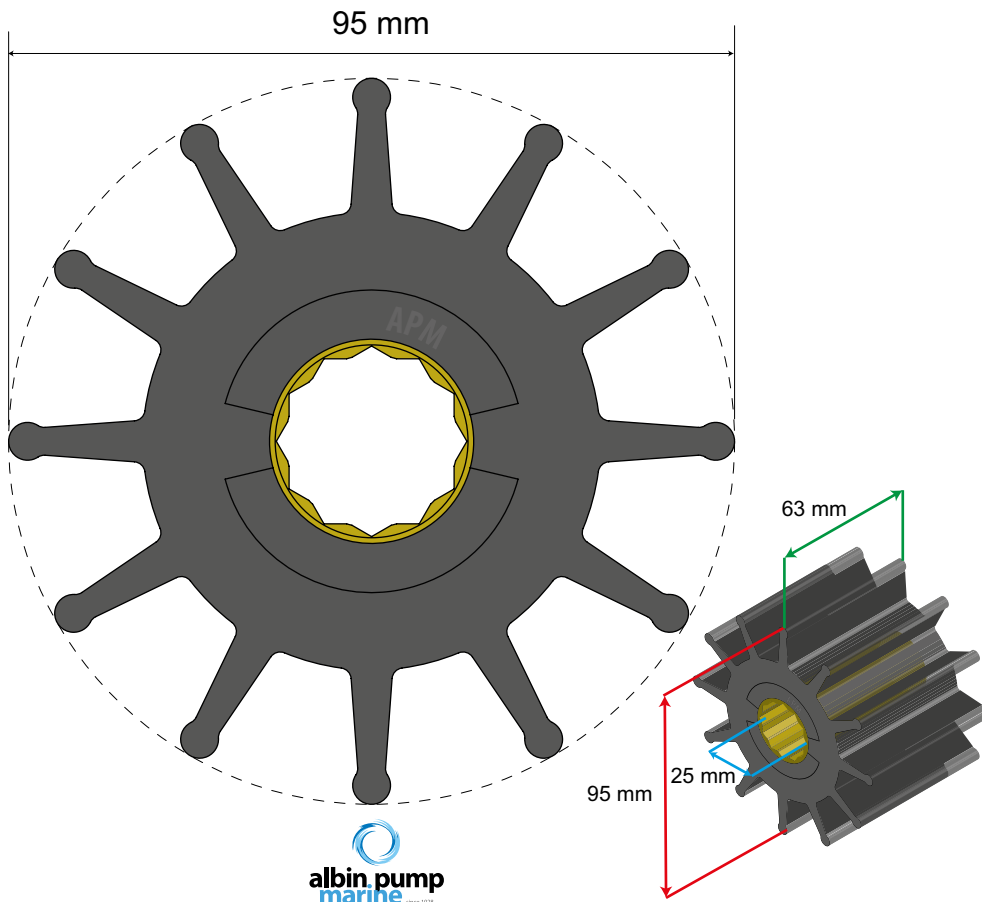


# Commercial Boat Impellers

## APM: 06-02-028

Replaces the following impellers:

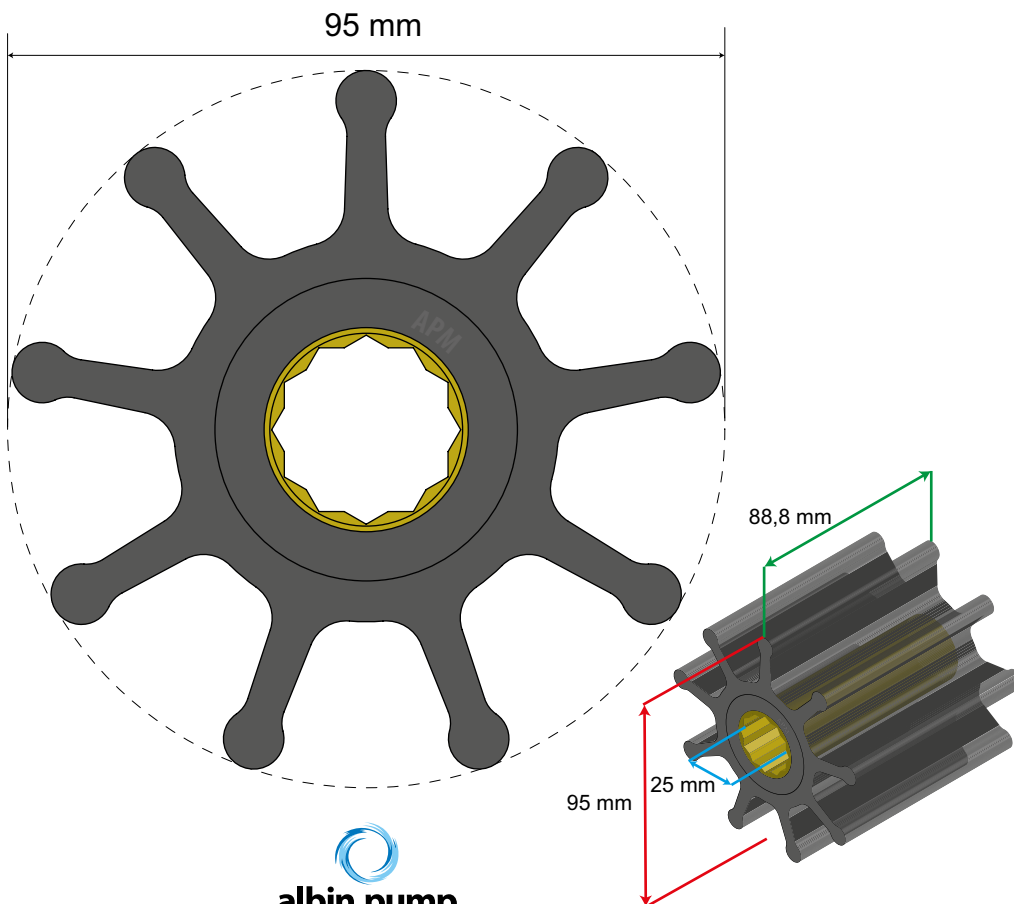
- Jabsco 17935-0001
- JMP 8100-01
- Johnson 09-819B
- Volvo Penta 875660



## APM: 06-02-029

Replaces the following impellers:

- Jabsco 6760-0001
- JMP 8200-01
- Johnson 09-802B
- Volvo Penta 842857
- Yanmar 125613-42762

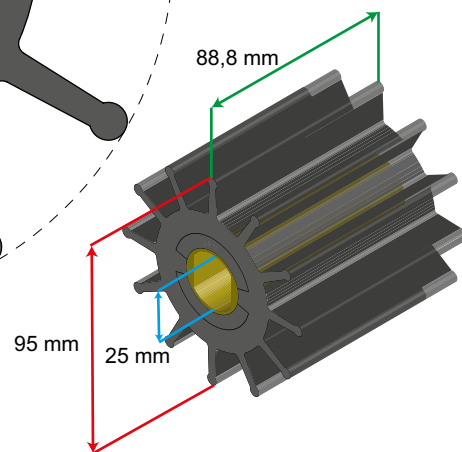
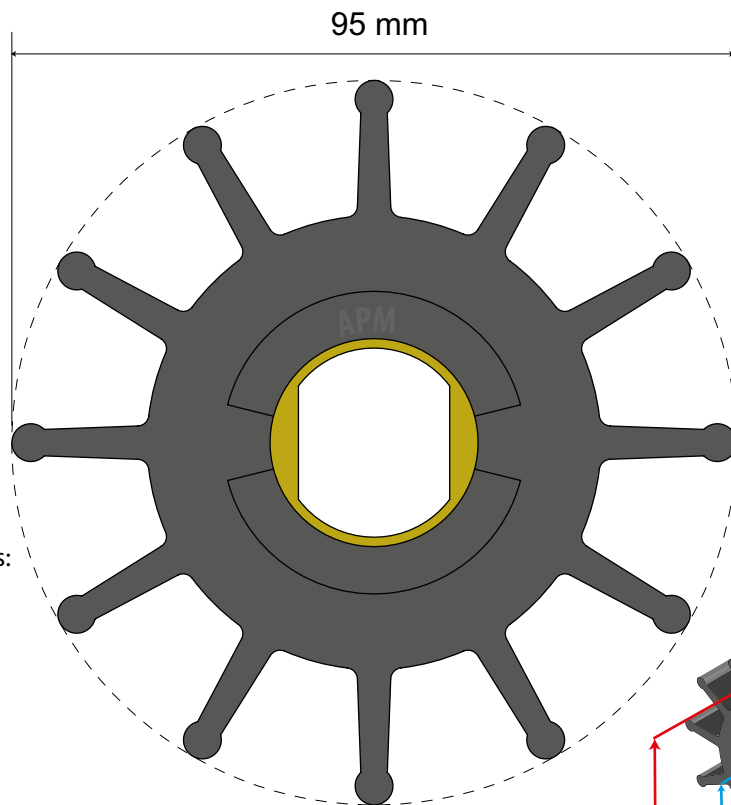


# Commercial Boat Impellers

## APM: 06-02-030

Replaces the following impellers:

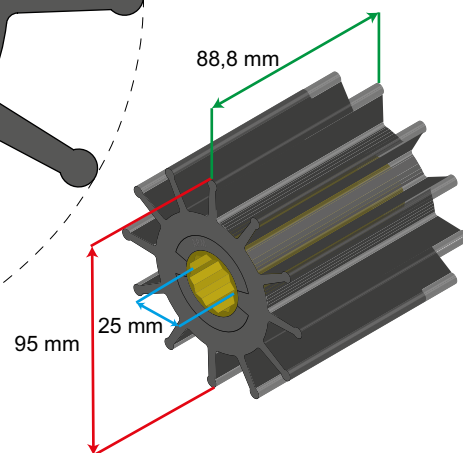
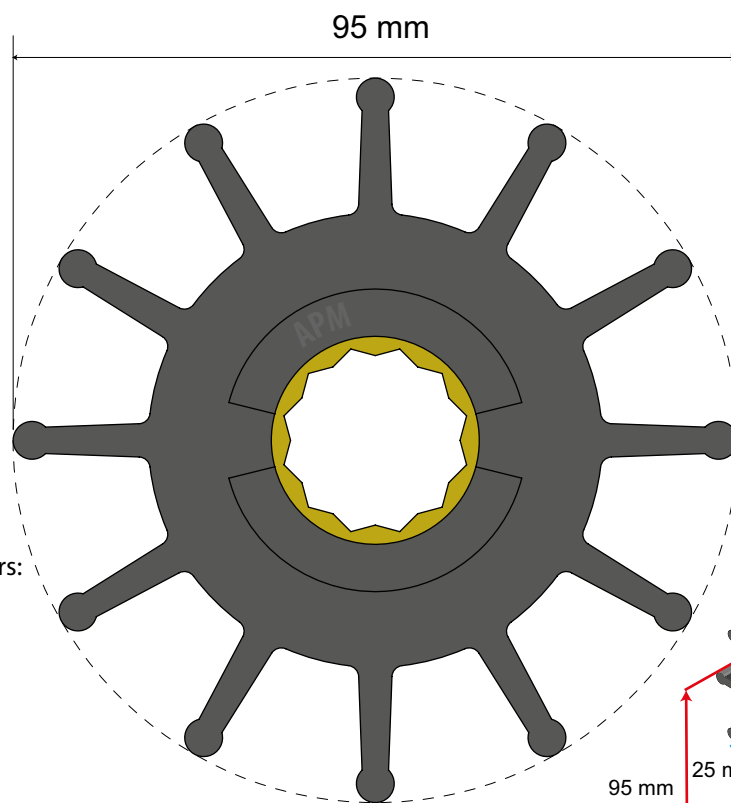
Jabsco	17370-0001
JMP	8300-01



## APM: 06-02-031

Replaces the following impellers:

Jabsco	17936-0001
JMP	8301-01
Johnson	09-814B
Volvo Penta	875660



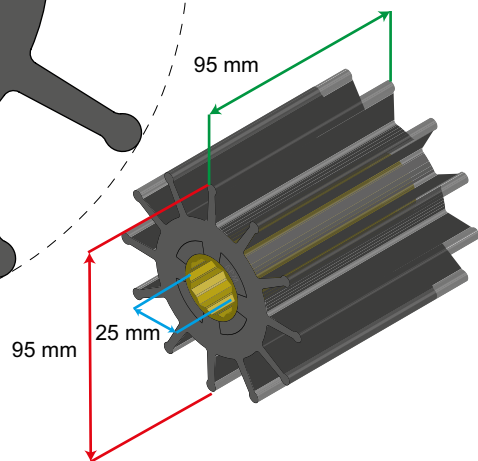
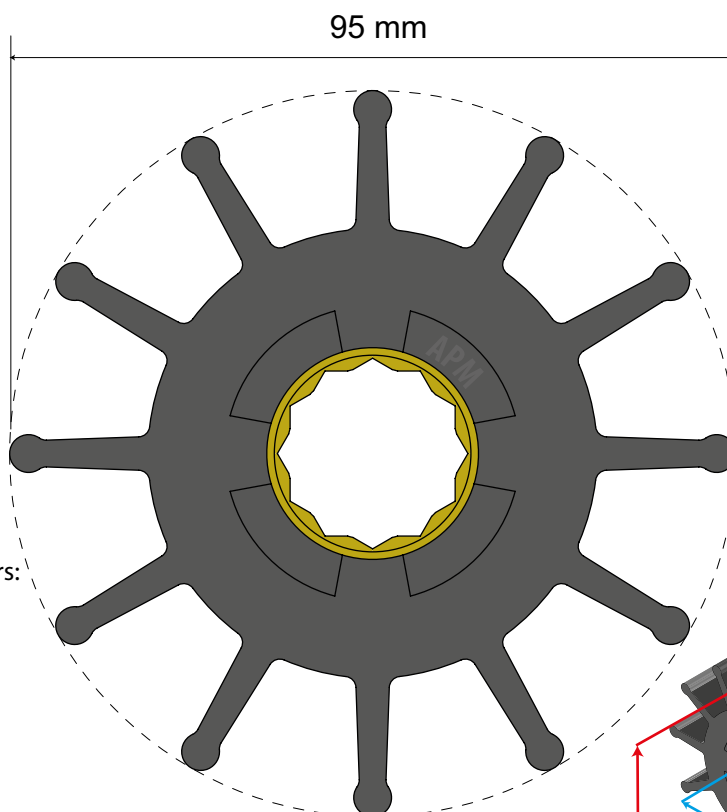


# Commercial Boat Impellers

## APM: 06-02-032

Replaces the following impellers:

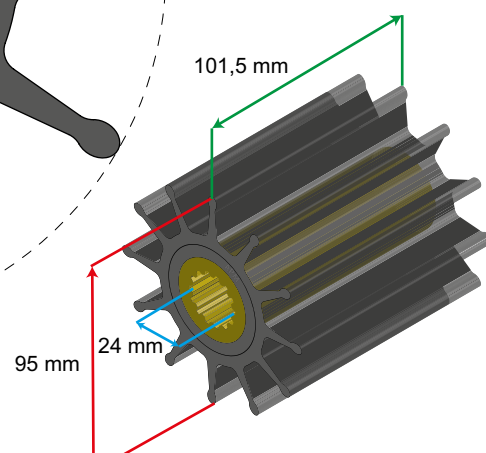
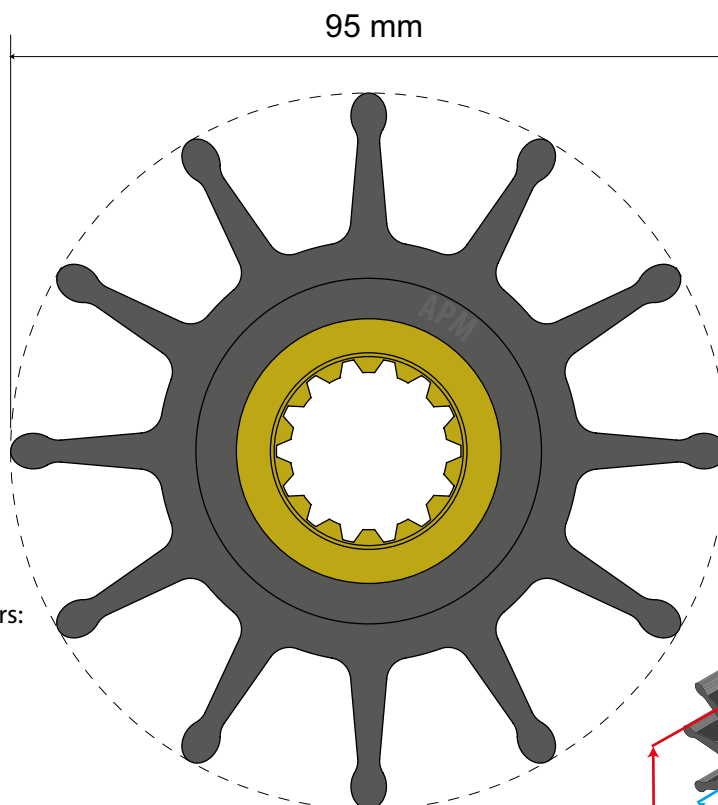
- Jabsco 17938-0001
- JMP 8326-01
- Volvo Penta 3830459



## APM: 06-02-033

Replaces the following impellers:

- JMP 8350-01
- Johnson 09-705BT-01
- Sherwood 18000K

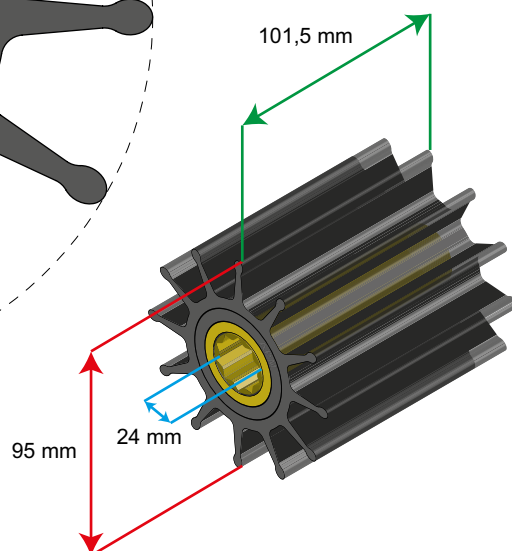
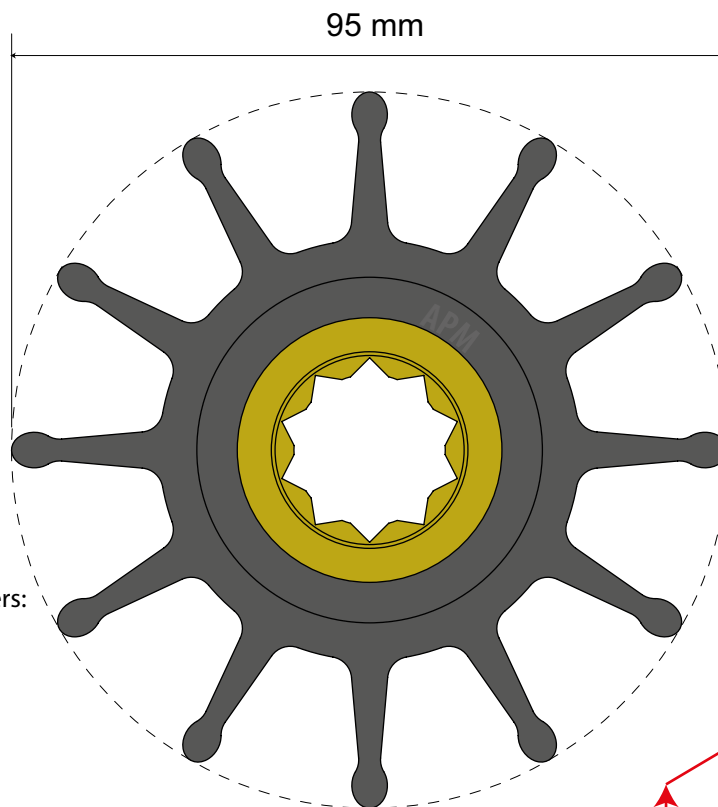


# Commercial Boat Impellers

APM: 06-02-034

Replaces the following impellers:

- JMP 8359-01
- Sherwood 29000K



# Special Impellers



## Special Impellers

Part no.	Description	Replaces the following impellers
06-04-036	Impeller for ballast pump PN 04-04-013 and PN 04-04-014, special material MC19	Johnson 09-824P-1EZ Jabsco 6303-007-P

# Impeller Tools



## Out-Peller Universal Tool

Impeller removal tool

- For most common impeller sizes
- Very durable impeller proven to work

Part no.	Description
06-03-035	Impeller removal tool



## In-Peller Tool

Complete impeller insert kit for most common impeller sizes. Makes fitting the impeller in the pump body very easy, especially in tight spaces by using only one hand. A must for any professional engine mechanic

- 5 different insert tools with diameter 40 mm, 51 mm, 57 mm, 65 mm and 95 mm

Part no.	Description
06-03-036	Impeller insertion tools



## 07\_Marine Toilets

A wide range of marine toilets to meet every installation situation onboard. Manual and electric operation in four different sizes: compact low, compact, comfort and premium. All bowls are made of white vitreous porcelain with corrosion resistant parts throughout. The design is appealing and functional, easy to maintain and clean. A wide selection of conversion kits can transform your manual model to electric or silent electric. 2 years limited warranty.



[www.albinpumpmarine.com](http://www.albinpumpmarine.com)  
[info@albinpumpmarine.com](mailto:info@albinpumpmarine.com)



## 07\_Marine Toilets

Manual Toilets.....	56
Standard Electric Toilets.....	57
Silent Electric Toilets.....	58
Silent Premium Toilets .....	59
Accessories / Spare Parts .....	60



# Manual Toilets

The world's best selling design for ease of service in restricted spaces. Highest standards of performance, reliability, noise level and design. All bowls are made of white vitreous porcelain with corrosion resistant parts throughout.

- Appealing and functional design
- Easy to maintain and clean
- Albin Pump Marine toilets come with a stable base for robust installation, plug & play/ interchangeable with other manual toilet models
- Port connections: inlet 19 mm (¾"), outlet 38 mm (1½")
- Manual ergonomic flush pump with handle that can be mounted on left or right side
- Manual pump with Lock & Unlock settings to prevent movement when not in use or leaving waste pump in open position

The Albin Pump Marine Manual Marine Toilets are available in three designs:

## Compact

Compact size with lower bowl height; white wooden seat

## Comfort

Regular size bowl; white thermoplastic soft-close seat

## Compact Low

Extra compact size – the most compact manual water toilet model available; smallest and lightest on the market. For tight spaces in smaller boats this model still makes it possible having the comfort of a water toilet onboard; white wooden seat

## Manual Compact

Part no.	Design	Ports	Dimensions W x D x H	Weight	Replaces
07-01-001	Compact, lower height bowl; white wooden seat	inlet 19 mm (¾"), outlet 38 mm (1½")	450 x 425 x 345 mm (17.7 x 16.7 x 13.6 in) height with seat open: 650 mm (25.6 in)	9.6 kg 21 lbs	Johnson Pump 80-47229-01 Jabsco 29090-3000

## Manual Comfort

Part no.	Design	Ports	Dimensions W x D x H	Weight	Replaces
07-01-002	Comfort, regular height bowl; white thermoplastic soft-close seat	inlet 19 mm (¾"), outlet 38 mm (1½")	470 x 490 x 340 mm (18.5 x 19.3 x 13.4 in) height with seat open: 705 mm (27.8 in)	11 kg 24 lbs	Johnson Pump 80-47230-01 Jabsco 29120-3000

## Manual Compact Low

Part no.	Design	Ports	Dimensions W x D x H	Weight	Replaces
07-01-003	Extra Compact, white wooden seat	inlet 19 mm (¾"), outlet 38 mm (1½")	450 x 425 x 310 mm (17.7 x 16.7 x 12.2 in) height with seat open: 610 mm (24 in)	8.5 kg 19 lbs	Johnson Pump 80-47625-01

# Standard Electric Toilets

The world's best selling design for ease of service in restricted spaces. Highest standards of performance, reliability, noise level and design. All bowls are made of white vitreous porcelain with corrosion resistant parts throughout.

- Combined electrical 12V or 24V macerator and pump for waste disposal and flushing in one single operation
- One touch electrical control panel
- Appealing and functional design
- Easy to maintain and clean
- Albin Pump Marine toilets come with a stable base for robust installation, plug & play/ interchangeable with other single operated or dual cycle electrical toilet models
- Port connections: inlet 19 mm (¾"), outlet 25 mm or 38 mm (1" or 1½")

The Albin Pump Marine Standard Electric Marine Toilets are available in four designs:

#### Compact:

Compact size with lower bowl height; white wooden seat

#### Comfort:

Regular size bowl; white thermoplastic soft-close seat

#### Compact Low:

Extra compact size – smallest and lightest on the market, white wooden seat

#### Design:

Robust, stable and compact with a preferred appearance like a home toilet.



### EVO Compact Standard Electric

Part no.	Design	Ports	Voltage	Fuse	Dimensions W x D x H	Weight	Replaces
07-02-004	Compact, lower height bowl; white wooden seat	inlet 19 mm (¾"), outlet 25 mm or 38 mm (1" or 1½")	12V	17 A	345 x 480 x 345 mm (13.6 x 18.9 x 13.6 in) height with seat open: 690 mm (27.2 in)	9,5 kg 21 lbs	Johnson Pump 80-47435-01 Jabsco 37010-0090
07-02-005			24V	8 A			Johnson Pump 80-47435-02 Jabsco 37010-0096

### EVO Comfort Standard Electric

Part no.	Design	Ports	Voltage	Fuse	Dimensions W x D x H	Weight	Replaces
07-02-006	Comfort, regular height bowl; white thermoplastic soft-close seat	inlet 19 mm (¾"), outlet 25 mm or 38 mm (1" or 1½")	12V	17 A	470 x 500 x 340 mm (18.5 x 19.7 x 13.4 in) height with seat open: 705 mm (27.8 in)	11 kg 24 lbs	Johnson Pump 80-47436-01 Jabsco 37010-1090
07-02-007			24V	8 A			Johnson Pump 80-47436-02 Jabsco 37010-1096

### EVO Compact Low Standard Electric

Part no.	Design	Ports	Voltage	Fuse	Dimensions W x D x H	Weight	Replaces
07-02-008	Extra Compact; white wooden seat	inlet 19 mm (¾"), outlet 25 mm or 38 mm (1" or 1½")	12V	17 A	345 x 480 x 310 mm (13.6 x 18.9 x 12.2 in) height with seat open: 610 mm (24 in)	9,2 kg 20 lbs	Johnson Pump 80-47626-01
07-02-009			24V	8 A			

### Design Standard Electric

Part no.	Design	Ports	Voltage	Fuse	Dimensions W x D x H	Weight
07-02-043	Single operation; white wooden seat	inlet 19 mm (¾"), outlet 25 mm or 38 mm (1" or 1½")	12V	24 A	345 x 410 x 400 mm (13.6 x 16.1 x 15.8 in) height with seat open: 720 mm (28.8 in)	18 kg 40 lbs
07-02-044			24V	12 A		

# Silent Electric Toilets

The world's best selling design for ease of service in restricted spaces. Highest standards of performance, reliability, noise level and design. All bowls are made of white vitreous porcelain with corrosion resistant parts throughout.

- Separated flushing and waste disposal cycle
- Rocker switch control panel; selects normal flush cycle, raises & lower water level in bowl as required
- Water is from existing pressurized water system onboard with solenoid valve (12V: PN 07-66-030, 24V: PN 07-66-031) or flush pump (12V: PN 07-66-032, 24V: PN 07-66-033) – not included
- Silent operation and low water consumption
- Appealing and functional design
- Easy to maintain and clean
- Albin Pump Marine toilets come with a stable base for robust installation, plug & play/ interchangeable with other single operated or dual cycle electrical toilet models
- Port connections: inlet 19 mm (¾"), outlet 25 mm or 38 mm (1" or 1½")

The Albin Pump Marine Silent Electric Marine Toilets are available in three designs:

## Compact:

Compact size with lower bowl height; white wooden seat

## Comfort:

Regular size bowl; white thermoplastic soft-close seat

## Design:

Robust, stable and compact with a preferred appearance like a home toilet.



## Compact Silent Electric

Part no.	Design	Ports	Voltage	Fuse	Dimensions W x D x H	Weight	Replaces
07-03-010	Compact, lower height bowl; white wooden seat	inlet 19 mm (¾"), outlet 25 mm or 38 mm (1" or 1½")	12V	17A	345 x 420 x 390 mm (13.6 x 16.5 x 15.4 in)	9.2 kg 20 lbs	Johnson Pump 80-47231-01 Jabsco 37045-0092
07-03-011			24V	8A	height with seat open: 700 mm (27.6 in)		Johnson Pump 80-47231-02 Jabsco 37045-0094

## Comfort Silent Electric

Part no.	Design	Ports	Voltage	Fuse	Dimensions W x D x H	Weight	Replaces
07-03-012	Comfort, regular height bowl; white thermoplastic soft-close seat	inlet 19 mm (¾"), outlet 25 mm or 38 mm (1" or 1½")	12V	17A	470 x 490 x 385 mm (18.5 x 25.4 x 15.2 in)	10.8 kg 24 lbs	Johnson Pump 80-47232-01 Jabsco 37045-1092
07-03-013			24V	8A	height with seat open: 755 mm (29.7 in)		Johnson Pump 80-47232-02 Jabsco 37045-1094

## Design Silent Electric

Part no.	Design	Ports	Voltage	Fuse	Dimensions W x D x H	Weight
07-03-045	Dual cycle; white wooden seat	inlet 19 mm (¾"), outlet 25 mm or 38 mm (1" or 1½")	12V	19A	340 x 410 x 405 mm (13.6 x 16.1 x 15.8 in)	18 kg 40 lbs
07-03-046			24V	10A	height with seat open: 720 mm (28.8 in)	

# Silent Premium Toilets

The world's best selling design for ease of service in restricted spaces. Highest standards of performance, reliability, noise level and design. All bowls are made of white vitreous porcelain with corrosion resistant parts throughout.

- Separated flushing and waste disposal cycle
- Electronic 3 function control panel: before use, after use and short use plus a trimmer to regulate the flow rate
- White, wood thermoset Luxury Premium softclose seat with stainless steel hinges
- Water is from existing pressurized water system onboard with solenoid valve (Premium valve 12V: PN 07-66-035; Bronze valves 12V: PN 07-66-030, 24V: PN 07-66-031) or flush pump (12V: PN 07-66-032, 24V: PN 07-66-033) – not included
- Very silent operation and maximized comfort; low water consumption
- Appealing and functional design
- Easy to maintain and clean
- Albin Pump Marine toilets come with a stable base for robust installation, plug & play/ interchangeable with other single operated or dual cycle electrical toilet models
- Port connections: inlet 19 mm (¾"), outlet 25 mm or 38 mm (1" or 1½")

The Albin Pump Marine Silent Premium Electric Marine Toilets are available in two designs:

### Premium:

Standard height luxury toilet with robust, stable with a preferred premium appearance like a home toilet

### Premium Low:

Lower height luxury toilet with robust, stable with a preferred premium appearance like a home toilet



## Silent Premium Electric

Part no.	Design	Ports	Voltage	Fuse	Dimensions W x D x H	Weight	Replaces
07-04-014	standard height;		12V	30 A			
07-04-015	white, wood thermoset Luxury Premium softclose seat with stainless steel hinges	inlet 19 mm (¾"), outlet 25 mm or 38 mm (1" or 1½")	24V	16 A	365 x 455 x 455mm (14.4 x 17.9 x 17.9 in) height with seat open: 860 mm (33.9 in)	21 kg 46 lbs	premium/ luxury models from Jabsco, Dometic, Tecma

## Silent Premium Low Electric

Part no.	Design	Ports	Voltage	Fuse	Dimensions W x D x H	Weight	Replaces
07-04-016	lower height;		12V	30 A			
07-04-017	white, wood thermoset Luxury Premium softclose seat with stainless steel hinges	inlet 19 mm (¾"), outlet 25 mm or 38 mm (1" or 1½")	24V	16 A	365 x 455 x 385 mm (14.4 x 17.9 x 15.2 in) height with seat open: 720 mm (27.8 in)	20 kg 44 lbs	premium/ luxury models from Jabsco, Dometic, Tecma

# Accessories / Spare Parts



Compliment your marine toilets with conversion kits for improved operation, control panels for push-button operation, vented loops, solenoids, flush pump and Y-valve.

## Standard Electric Toilet Conversion Kit

Converts your manual or silent electric toilet to a 12V/24V one cycle electric operated version.

Including all you need for a new assembly, also the one push electrical control panel.

Part no.	Voltage	Connections	Weight
07-66-019	12V	Port connections inlet 19 mm (¾"), outlet 25 mm or 38 mm (1" or 1½")	2.4Kg 6 lbs
07-66-020	24V		

## Standard Electric EVO Toilet Conversion Kit

Converts your manual or silent electric toilet to a 12V/24V new EVO version. More silent with higher capacity than former Standard Electric models.

Including all you need for a new assembly, also the one push electrical control panel.

Part no.	Voltage	Connections	Weight
07-92-050	12V	Port connections inlet 19 mm (¾"), outlet 25 mm or 38 mm (1" or 1½")	2.4Kg 6 lbs
07-92-051	24V		

## Silent Electric Toilet Conversion Kit

Converts your manual or standard electric toilet to a 12V/24V separated flushing and waste disposal cycle version.

Including all you need for a new assembly, also the electronic 3 function control panel. More silent and less water consumption. Water is from existing pressurized water system onboard with 12V solenoid valve (PN 07-66-030) – 24V solenoid valve (PN 07-66-031) or 12V flush pump (PN 07-66-032) – 24V flush pump (PN 07-66-033)- not included!

Part no.	Voltage	Connections	Weight
07-66-021	12V	Port connections outlet 25 mm or 38 mm (1" or 1½")	2.1 Kg 6 lbs
07-66-022	24V		

## Control Panel Standard Electric Toilet

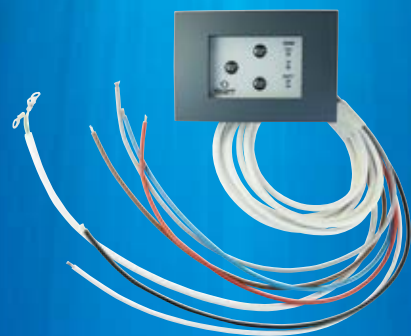
The panel controls the combined rinse and discharge by a single button.

Part no.	Voltage	Description
07-66-023	12V/24V	One push standard electric control panel





# Accessories / Spare Parts



## Digital Control Panel Silent Electric Toilet

Before use – after use – short use and trimmer to regulate the flow

Part no.	Voltage	Description
07-66-024	12V/24V	Electronic 3 function control panel, before use, after use and short use plus a trimmer to regulate the flow rate



## Control Panel Silent Electric Toilet Rocker Switch

The panel controls the rinse and the discharge, by two buttons.

Button 1, One function, discharge and rinse.

Button 2, Two functions, Rinse toilet OR discharge toilet

Part no.	Voltage	Description
07-66-025	12V/24V	2 function rocker switch control panel for waste disposal and flushing



## Control Panel ECO Flush Electric Toilet With Level Indicator

Electronic control system with ECO flush functionality and tank level indicator control integrated in panel.

**Normal / Full Flush Button**

5 seconds delivery approx. 5 liters (1.3 USG) of water

**ECO Flush Button**

2½ seconds delivery approx. 2.5 liters (0.66 USG) of water

Part no.	Voltage	Description
07-66-026	12V/24V	Electronic control system with ECO flush functionality and tank level indicator control integrated in panel.

## Installation Manual Toilets

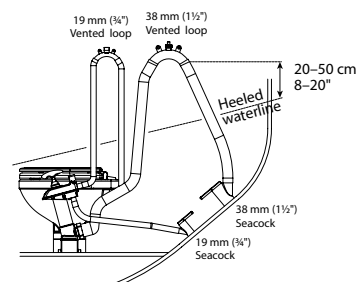
If the toilet is connected to any through-hull fitting and if the rim of the bowl falls below the waterline, for example during heavy seas, there is the risk of water flooding in, causing the boat to sink, which may result in loss of life. Therefore, if the rim of the toilet is less than 20 cm (8") above the waterline when the craft is at rest, or if there is any possibility that the rim of the bowl may be below the waterline at ANY time, a *vented loop MUST* be fitted in any pipework connected to a through-hull fitting, irrespective of whether inlet or discharge. The loop must be vented to avoid the siphoning of water back into the boat through the toilet.

### Toilet below waterline or below holding tank

#### **Inlet: 19 mm (¾") Vented Loop fitting**

- Run the inlet hose by the most direct way to the toilet flushing pump inlet connection
- Remove the white hose supplied with the toilet which connects the flushing pump outlet tail to the bowl elbow - using a spanner, rotate the intake seal so that the elbow points upwards - replace the white hose with a longer length of 19 mm (¾") internal diameter hose

and position it in a way so that its point is 20 – 50 cm (8 – 20") above the highest possible waterline and fit the vented loop at that highest point. Caution: DO NOT POSITION THE VENTED LOOP BETWEEN THE INLET SEACOCK AND THE FLUSHING PUMP INLET, as it will make the flushing pump difficult or harder to prime, and could prevent it from working at all.



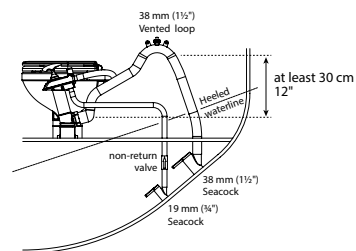
#### **Discharge: 25 mm (1") or 38 mm (1½") Vented Loop fitting Mounting**

- Arrange the discharge hose, so that its highest point is 20 – 50 cm (8 – 20") above the waterline or the highest level of the holding tank, and fit the vented loop at the highest point.
- Run the discharge hose from the toilet to the vented loop
- Run the discharge hose from the vented loop to the seacock or holding tank

### Toilet above waterline or above holding tank

#### **Inlet: 19 mm hose**

- Run the inlet hose by the most direct route from the inlet seacock to a non-return valve.
- Run the inlet hose from the non-return valve to the flushing pump inlet connection.
- For convenience of use, install an in-line non-return valve next to the inlet seacock which will ensure that the pump stays primed in between usages.



#### **Discharge: 25 mm (1") or 38 mm (1½") hose**

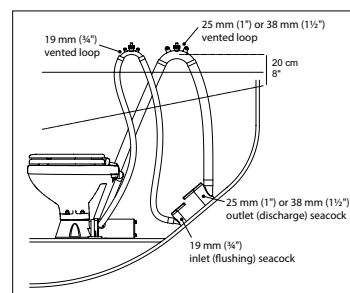
- Rise the discharge hose at least 30 cm (12") above the discharge elbow and fit a vented loop at its highest point - this will help to retain water in the bowl.
- Connect discharge hose connection on the toilet to the seacock or holding tank.

### Toilet below waterline or below holding tank

#### **Inlet: 19 mm (¾") Vented Loop fitting**

- The vented loop must be positioned it in a way that its point is at least 20 cm (8") above the highest possible waterline
- Run the inlet hose by the most direct way from the inlet seacock to the vented loop

- Run the inlet hose by the most direct way from the vented loop to toilet flushing pump inlet connection.



#### **Discharge: 25 mm (1") or 38 mm (1½") Vented Loop fitting Mounting**

- Arrange the discharge hose, so that its highest point is at least 20 cm (8") above the waterline or holding tank, and fit the vented loop at the highest point.
- Run the discharge hose from the toilet to the vented loop
- Run the discharge hose from the vented loop to the seacock or holding tank

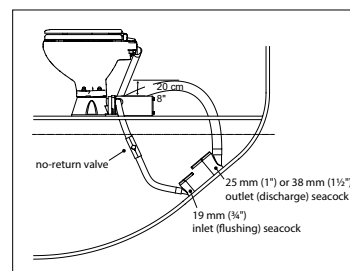
### Toilet above waterline or above holding tank

#### **Inlet: 19 mm hose**

- Run the inlet hose by the most direct route from the inlet seacock to a non-return valve.
- Run the inlet hose from the non-return valve to the flushing pump inlet connection.
- For convenience of use, install an in-line non-return valve next to the inlet seacock which will ensure that the pump stays primed in between usages.

#### **Discharge: 25 mm (1") or 38 mm (1½") hose**

- As close as possible to the toilet, rise the discharge hose 20 cm above the base to retain water in the bowl. Make sure the outlet hose stays in this position.
- Connect discharge hose connection on the toilet to the seacock or holding tank.



## Installation Electric Standard Toilets

# Installation Electric Silent Toilets

## Toilet below waterline or below holding tank

### **Inlet: 19 mm (3/4") Vented Loop fitting**

- The vented loop must be positioned in a way that its highest point is 20–50 cm (8–20") above the highest possible waterline
- Run the inlet hose by the most direct way from the inlet seacock, via the flush pump to

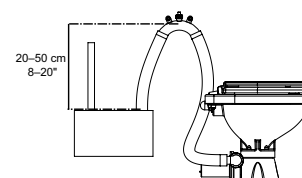
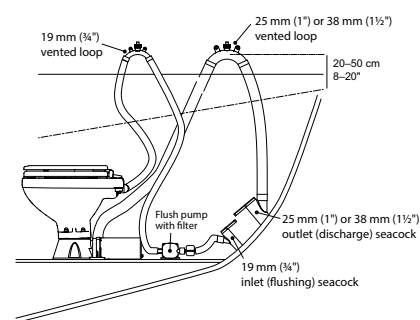
the vented loop; or, the most direct way from the pressurized water pipe in a centralized system.

- Run the inlet hose by the most direct way from the vented loop to toilet flushing pump inlet connection.

### **Discharge: 25 mm (1") or 38 mm (1 1/2") Vented Loop fitting Mounting**

- Arrange the discharge hose, so that its highest point is at least 20 cm (8") above the waterline or holding tank, and fit the vented loop at the highest point.
- Run the discharge hose from

- the toilet to the vented loop
- Run the discharge hose from the vented loop to the seacock or holding tank



## Toilet above waterline or above holding tank

### **Inlet: 19 mm hose**

- Run the inlet hose by the most direct route from the inlet seacock to a non-return valve; or, the most direct way from the pressurized water pipe in a centralized system..
- Run the inlet hose from the non-return valve to the flush pump

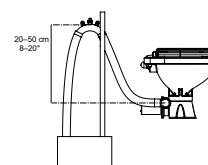
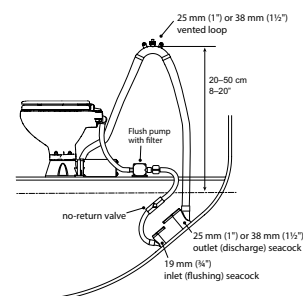
and then to the flushing pump inlet connection.

- For convenience of use, install an in-line non-return valve next to the inlet seacock which will ensure that the pump stays primed in between usages.

### **Discharge: 25 mm (1") or 38 mm (1 1/2") hose**

- Arrange the discharge hose, so that its highest point is 20–50 cm (8–20") above the waterline or holding tank, and fit the vented loop at the highest point.

- Run the discharge hose from the toilet to the vented loop
- Run the discharge hose from the vented loop to the seacock or holding tank.



# Accessories / Spare Parts

## Vented Loop fittings

If the toilet is connected to any through-hull fitting and if the rim of the bowl falls below the waterline, for example during heavy seas, there is the risk of water flooding in, causing the boat to sink, which may result in loss of life. Therefore, if the rim of the toilet is less than 20 cm (8") above the waterline when the craft is at rest, or if there is any possibility that the rim of the bowl may be below the waterline at *ANY* time, a *vented loop MUST* be fitted in any pipework connected to a through-hull fitting, irrespective of whether inlet or discharge. *The loop must be vented to avoid the siphoning of water back into the boat through the toilet.*



### Vented Loop 19

Vented loop for inlet

Part no.	Description
07-66-027	19 mm (¾") air valve loop to prevent back siphoning for waste water systems



### Vented Loop 25

Vented loop for outlet

Part no.	Description
07-66-028	25 mm (1") air valve loop to prevent back siphoning for waste water systems.



### Vented Loop 38

Vented loop for outlet

Part no.	Description
07-66-029	38 mm (1½") air valve loop to prevent back siphoning for waste water systems.

# Accessories / Spare Parts

## Premium Solenoid valve 12V

To be used with pressurized fresh water systems

Part no.	Voltage	Description
07-66-035	12V	Electric valve to be used with centralized, pressurized fresh water system. ½" and ¾" hose connections

## Bronze Solenoid valve

To be used with pressurized fresh water systems

Part no.	Voltage	Description
07-66-030	12V	Electric valve to be used with centralized, pressurized fresh water system. Internal pipe thread ½"
07-66-031	24V	

## Flush Pump

Silent and robust 4-diaphragm flush pump to be used with any toilet with an external flush system.

- Perfect companion to Albin Pump Marine Silent Electric and Premium marine toilets
- Can be run dry
- Strainer included.

Part no.	Capacity	Voltage	Fuse	Ports	Dimensions
07-66-032	12 L/min (3.2 GPH) 2.6 bar (38 psi)	12V	6 A	19 mm (¾") inner diameter hose	112x190x94 mm (4.4x7.5x3.7 in)
07-66-033	self-priming 7 m (23 ft)	24V	3 A		

## Y-valve HD

Heavy Duty Y-valve for installation in waste discharge and bilge pump-out systems.

Part no.	Description
07-66-034	Allows waste water to be diverted to tank or pump-out



# Accessories / Spare Parts



## Manual Toilet Pump

Part no.	Description
07-66-018	Toilet pump and base kit for all manual toilets. Including all you need for a new assembly. Interchangeable with Jabsco and Johnson Pump manual toilet pumps



## Compact Seat

Part no.	Description
07-99-035	Original wooden seat for Compact and Design toilet models



## Comfort Seat SC

Part no.	Description
07-99-036	Original softclose seat for Comfort toilet models

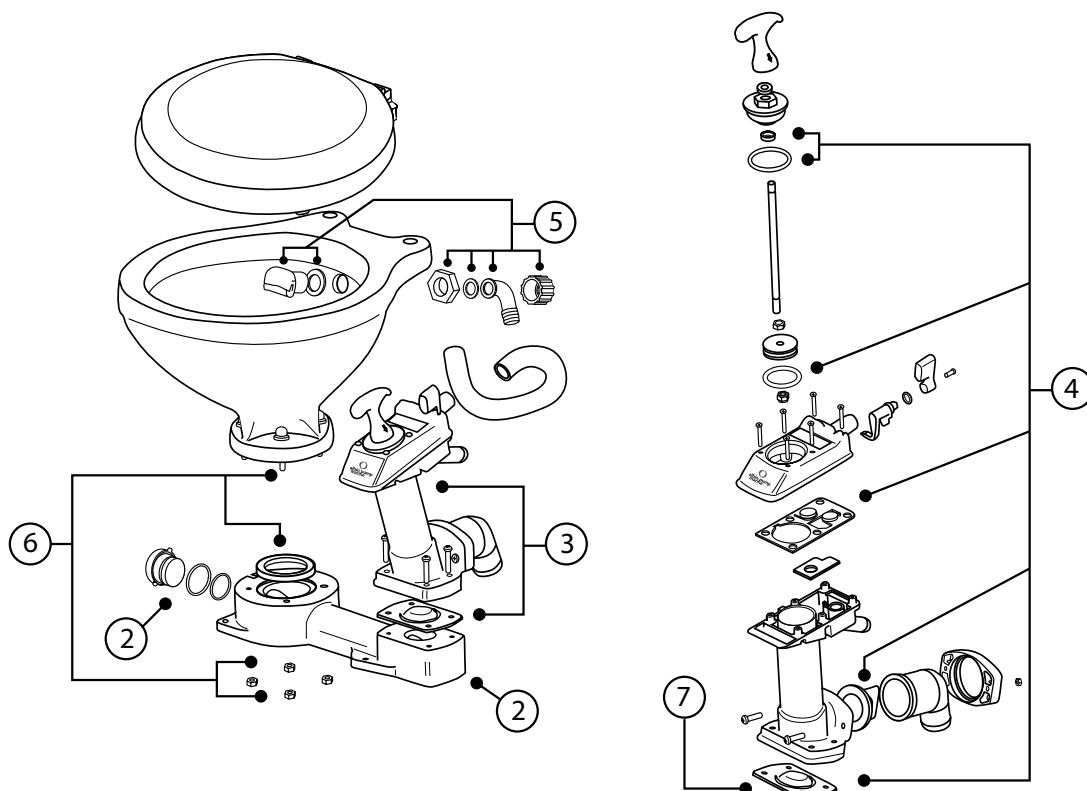


## Luxury Premium Seat SC

Part no.	Description
07-99-042	Premium thermoset wood soft close seat with stainless steel hinges

# Accessories / Spare Parts

## Spare Parts Manual Marine Toilets



### Common spares

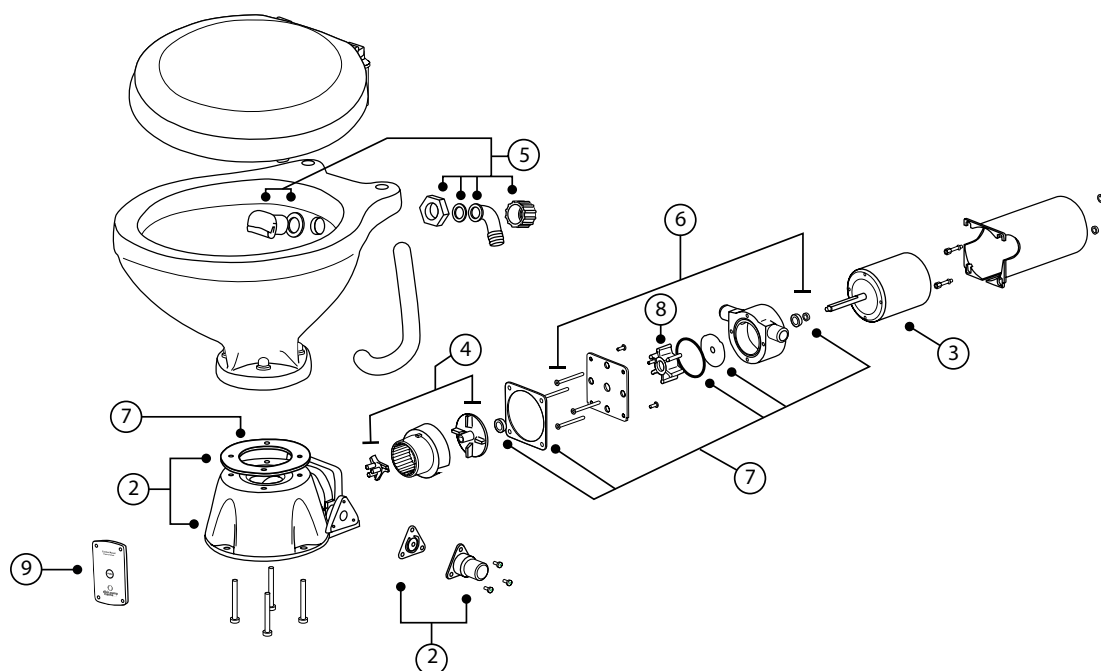
APM part #	Pos.	Description
07-91-057	2	Plastic base
07-66-018	3	Manual pump with base gasket
07-91-059	4	Gasket kit manual pump
07-99-060	5	Intake elbow 90°
07-91-061	6	Bowls gasket/screws
07-91-062	7	Check valve

### Model specific parts

APM part #	Description
07-01-001	<b>Manual Compact Toilet, complete</b>
07-99-035	Compact Seat
07-01-002	<b>Manual Comfort Toilet, complete</b>
07-99-036	Comfort Seat
07-01-003	<b>Manual Compact Low Toilet, complete</b>
07-99-035	Compact Seat

# Accessories / Spare Parts

## Spare Parts Electric Standard Marine Toilets



### Common spares

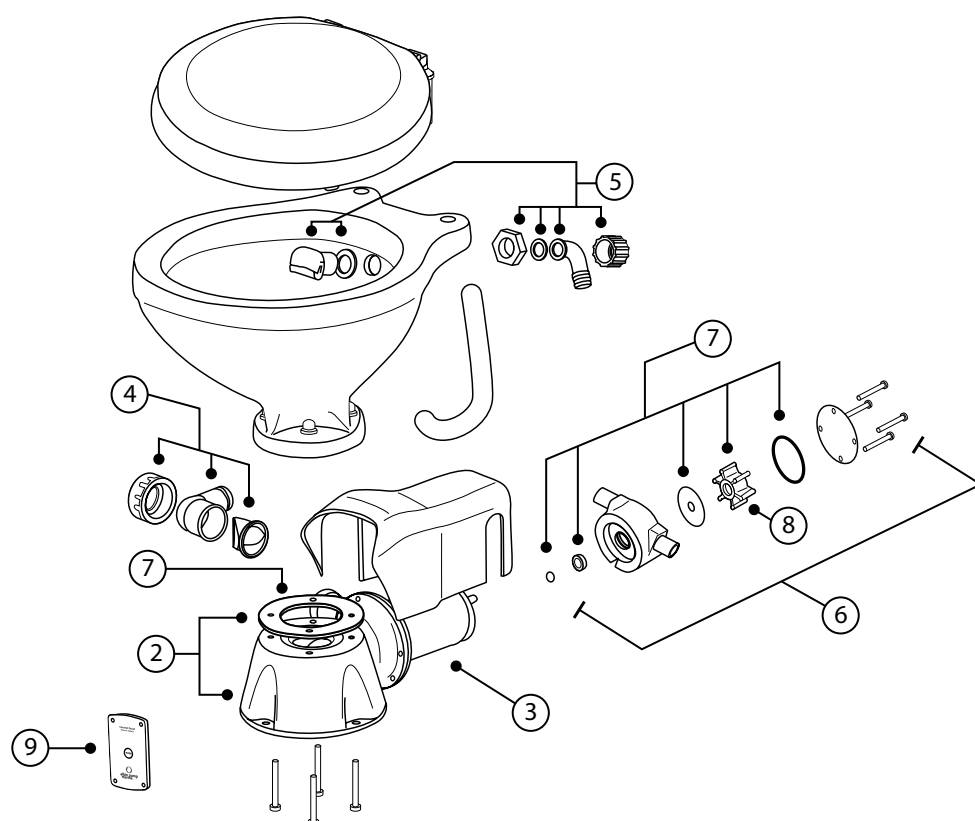
APM part #	Pos.	Description
07-99-047	2	Base Group
07-99-038	3	Motor Standard Electric Toilet 12V
07-99-039	3	Motor Standard Electric Toilet 24V
07-99-048	4	Macerator Group
07-99-060	5	Intake Elbow
07-92-070	6	Flush Pump
07-99-086	7	Gasket Kit
07-99-073	8	Impeller Flush Pump
07-66-023	9	Control Panel Standard Electric Toilet
07-66-019		Standard Electric Conversion Kit 12V
07-66-020		Standard Electric Conversion Kit 24V

### Model specific parts

APM part #	Description
07-02-002	<b>Standard Electric Compact 12V, complete</b>
07-02-003	<b>Standard Electric Compact 24V, complete</b>
07-99-035	Compact Seat
07-02-010	<b>Standard Electric Comfort 12V, complete</b>
07-02-011	<b>Standard Electric Comfort 24V, complete</b>
07-99-036	Comfort Seat

# Accessories / Spare Parts

## Spare Parts Electric Standard EVO Marine Toilets



### Common spares

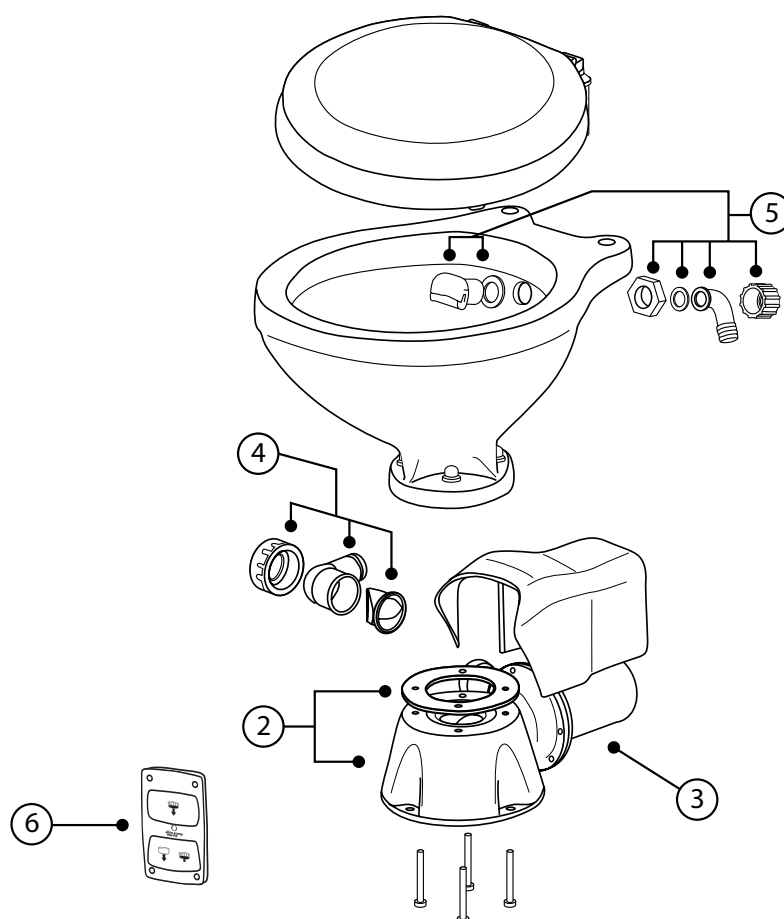
APM part #	Pos.	Description
07-99-063	2	Base Group
07-92-052	3	MOTOR GROUP EVO 12V.
07-92-053	3	MOTOR GROUP EVO 24V.
07-99-064	4	Outlet Elbow
07-99-060	5	Intake Elbow
07-92-065	6	Flush Pump EVO
07-92-066	7	Gasket Kit EVO
07-99-073	8	Impeller Flush Pump
07-66-023	9	Control Panel Standard Electric Toilet
07-92-050		Standard Electric EVO Conversion Kit 12V
07-92-051		Standard Electric EVO Conversion Kit 24V

### Model specific parts

APM part #	Description
07-02-004	<b>Standard Electric Evo Compact 12V, complete</b>
07-02-005	<b>Standard Electric Evo Compact 24V, complete</b>
07-99-035	Compact Seat
07-02-006	<b>Standard Electric Evo Comfort 12V, complete</b>
07-02-007	<b>Standard Electric Evo Comfort 24V, complete</b>
07-99-036	Comfort Seat
07-02-008	<b>Standard Electric Evo Compact Low 12V, complete</b>
07-02-009	<b>Standard Electric Evo Compact Low 24V, complete</b>
07-99-035	Compact Seat

# Accessories / Spare Parts

## Spare Parts Electric Silent Marine Toilets



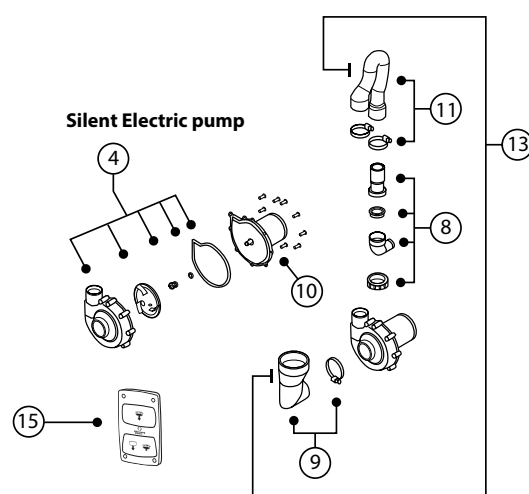
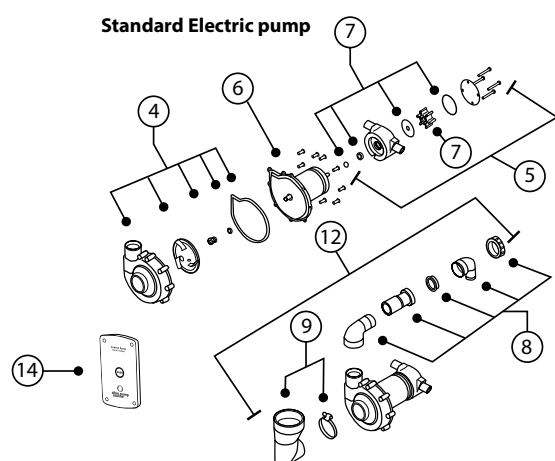
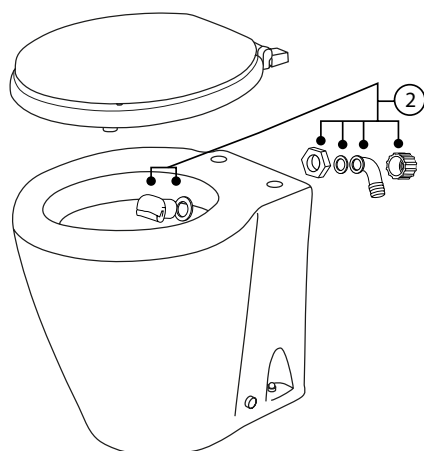
Common spares		
APM part #	Pos.	Description
07-99-064	2	Base Group
07-99-040	3	Motor Group Silent El. 12V
07-99-041	3	Motor Group Silent El. 24V
07-99-064	4	Outlet Elbow
07-99-060	5	Intake Elbow
07-66-025	6	Control Panel Silent Electric Toilet Rocker Switch
07-66-021		Silent Electric Conversion Kit 12V
07-66-022		Silent Electric Conversion Kit 24V

Model specific parts	
APM part #	Description
07-03-010	Silent Electric Compact 12V, complete
07-03-011	Silent Electric Compact 24V, complete
07-99-035	Compact Seat
07-03-012	Silent Electric Comfort 12V, complete
07-03-013	Silent Electric Comfort 24V, complete
07-99-036	Comfort Seat



# Accessories / Spare Parts

## Spare Parts Standard / Silent Design Marine Toilets

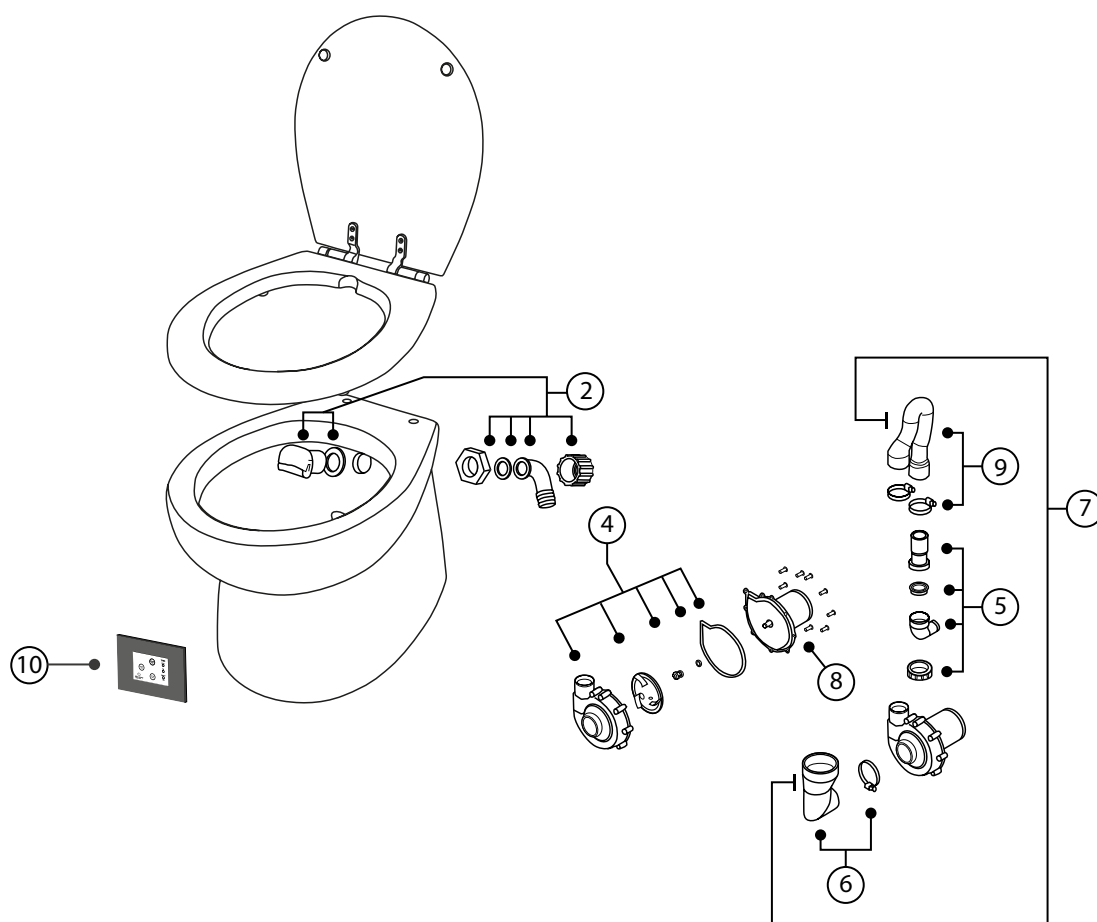


Common spares		
APM part #	Pos.	Description
07-99-060	2	Intake Elbow 90°
07-99-068	all gaskets in 4 and 8	Complete Gasket Kit Design/Premium
07-99-069	4	Inlet Pump Group Design/Premium
07-92-070	5	Flush Pump Group Design Std. El.
07-99-071	6	Motor Group Design Std. El. 12V
07-99-072	6	Motor Group Design Std. El. 24V
07-99-073	7	Impeller Flush Pump
07-99-074	8	Outlet Elbow Electric/Design/Premium
07-99-075	9	Intake Elbow Design/Premium
07-94-082	10	Motor Premium/ Design Silent 12V
07-94-083	10	Motor Premium/ Design Silent 24V
07-94-085	11	Outlet Hose Kit For Design Silent
07-99-088	12	Complete Pump Kit Design Std Electric 12V
07-99-088	12	Complete Pump Kit Design Std Electric 24V
07-99-089	13	Complete Pump Kit Design Silent Electric 12V
07-99-090	13	Complete Pump Kit Design Silent Electric 24V
07-66-023	14	Control Panel Standard Electric Toilet
07-66-025	15	Control Panel Silent Electric Toilet Rocker Switch

Model specific parts	
APM part #	Description
07-02-043	<b>Design Marine Toilet Standard Electric 12V, complete</b>
07-02-044	<b>Design Marine Toilet Standard Electric 24V, complete</b>
07-99-035	Compact Seat
07-02-045	<b>Design Marine Toilet Standard Silent 12V, complete</b>
07-02-046	<b>Design Marine Toilet Standard Silent 24V, complete</b>
07-99-035	Compact Seat

# Accessories / Spare Parts

## Spare Parts Silent Premium Marine Toilets



### Common spares

APM part #	Pos.	Description
07-99-060	2	Intake Elbow 90°
07-99-068	all gaskets in 4 and 5	Complete Gasket Kit Design/Premium
07-99-069	4	Inlet Pump Group Design/ Premium
07-99-074	5	Outlet Elbow Electric/Design/Premium
07-99-075	6	Intake Elbow Design/Premium
07-94-079	7	Complete Pump Kit Premium 12V
07-94-080	7	Complete Pump Kit Premium 24V
07-94-082	8	Motor Premium/ Design Silent 12V
07-94-083	8	Motor Premium/ Design Silent 24V
07-94-084	5	Outlet Elbow Kit For Premium Std
07-94-087	9	Outlet Hose Kit For Premium Silent
07-66-024	10	Control Panel Premium Silent Electric Toilet

### Model specific parts

APM part #	Description
07-04-014	<b>Silent Premium 12V, complete</b>
07-04-015	<b>Silent Premium 24V, complete</b>
07-99-042	Luxury Premium Seat SC
07-04-016	<b>Silent Premium Low 12V, complete</b>
07-04-017	<b>Silent Premium Low 24V, complete</b>
07-99-042	Luxury Premium Seat SC



## 08\_Water Heaters

Wide range of water heaters: Premium, Square and Stainless Steel selection. The Premium Water Heaters and square models have a toxic free ceramic inside coating to ensure highest water quality over time. The SS range has stainless steel AISI 316 tank, anti-corrosion treatment with pickling and passivation. All are designed for continuous use onboard vessels in demanding environments. 3 years limited warranty.



**albin.pump**  
marine since 1928

[www.albinpumpmarine.com](http://www.albinpumpmarine.com)  
[info@albinpumpmarine.com](mailto:info@albinpumpmarine.com)



## 08\_Water Heaters

Premium Water Heaters .....	75
Stainless Steel Water Heaters .....	77
Accessories / Spare Parts .....	78

# Premium Water Heaters

The Albin Pump Marine Premium Water Heaters and square models have a toxic free ceramic inside coating to ensure highest water quality over time. Dual heating as standard - electrical heating and indirect heating based on an second heat source, for example based on the cooling system from the Marine engine or generator set.

- Round version 22 liter (5.8 gal), 30 liter (8 gal), 45 liter (12 gal), 60 liter (17 gal)
- Rectangular version 20 liter (5.6 gal)
- Interchangeable with common brands such as Webasto/Isotemp
- 850W, 230V or 800W, 120V
- Doubly enameled steel tank with aluminium outer coating
- Enameled iron heat exchanger for indirect heating from e.g. engine cooling water
- Incoloy corrosion-resistant alloy elements for electrical heating
- Heat loss 1 °C (1.8 °F)/ hour over 24 hours
- Flexible mounting brackets, thermostat and drain valve are included
- Designed for continuous use onboard vessels in demanding environments



## Premium Rectangular Water Heater 20L

Part no.	Power	Capacity	Voltage	Fuse size	Connections	Dimensions LxWxH	Weight empty
08-01-005	850W	20 L (5.3 gal) Heats up 20L (5,6 gal) in 45min, good for 30L of mixed warm water or a 3 minute shower.	230V - 50 Hz	3.7 A	Fixed port connections BSP ½"	536 x 190 x 420 mm (21.1 x 7.5 x 16.5 in)	12.5 Kg (28 lbs)
08-01-028	800W		120V - 60 Hz		Fixed port connections NPT ½"		



## Premium Water Heater 22L

Part no.	Power	Capacity	Voltage	Fuse size	Connections	Dimensions LxWxH	Weight empty
08-01-001	850W	22 L (5.8 gal) Heats up 22L (5,8 gal) in 1h, good for 35L of mixed mixed warm water or a 3,5 minute shower.	230V - 50 Hz	3.7 A	Fixed port connections BSP ½"	423.5 x 390 x 404 mm (16.7 x 15.4 x 15.9 in)	11 Kg (24 lbs)
08-01-024	800W		120V - 60 Hz		Fixed port connections NPT ½"		



## Premium Water Heater 30L

Part no.	Power	Capacity	Voltage	Fuse size	Connections	Dimensions LxWxH	Weight empty
08-01-002	850W	30 L (7.9 gal) Heats up 30L (8 gal) in 1,5h, good for 45L of mixed warm water or a 4,5 minute shower.	230V - 50 Hz	3.7 A	Fixed port connections BSP ½"	503.5 x 390 x 404 mm (19.8 x 15.4 x 15.9 in)	12 Kg (26 lbs)
08-01-025	800W		120V - 60 Hz		Fixed port connections NPT ½"		



## Premium Water Heater 45L

Part no.	Power	Capacity	Voltage	Fuse size	Connections	Dimensions LxWxH	Weight empty
08-01-003	850W	45 L (11.9 gal) Heats up 45L (12 gal) in 2h, good for 65L of mixed warm water or a 6,5 minute shower	230V - 50 Hz	3.7 A	Fixed port connections BSP ½"	663.5 x 390 x 404 mm (26.1 x 15.4 x 15.9 in)	14 Kg (31 lbs)
08-01-026	800W		120V - 60 Hz		Fixed port connections NPT ½"		



## Premium Water Heater 60L

Part no.	Power	Capacity	Voltage	Fuse size	Connections	Dimensions LxWxH	Weight empty
08-01-004	850W	60 L (15.8 gal) Heats up 60L (16 gal) in 4h, good for 90L of mixed warm water or a 9 minute shower	230V - 50 Hz	3.7 A	Fixed port connections BSP ½"	823.5 x 390 x 404 mm (32.4 x 15.4 x 15.9 in)	16 Kg (35 lbs)
08-01-027	800W		120V - 60 Hz		Fixed port connections NPT ½"		



# Premium Water Heaters



## Premium Square Water Heater 22l

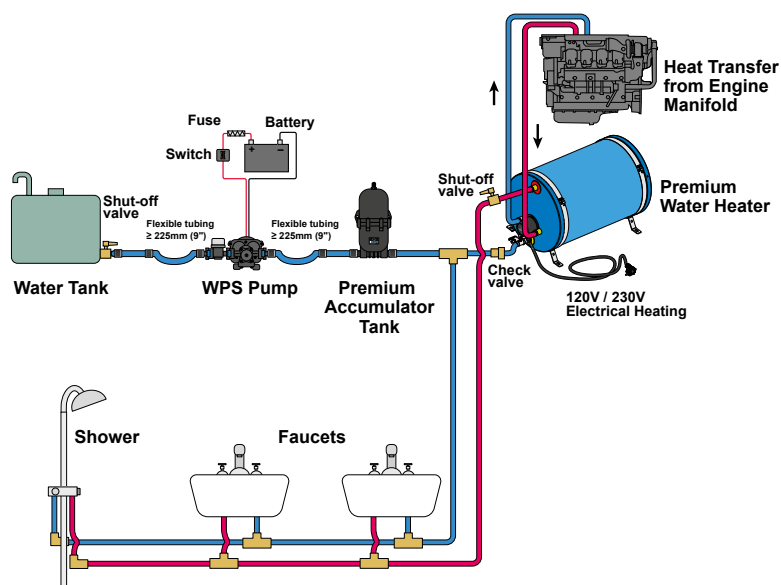
Part no.	Power	Capacity	Voltage	Fuse size	Connections	Dimensions LxWxH	Weight empty
08-01-032	850W	22 L (5.8 gal) Heats up 22L (5,8 gal) in 45min, good for 30L of mixed warm water or a 3 minute shower	230V - 50 Hz	3.7 A	Fixed port connections BSP ½"	493 x 320 x 320 mm (19.4 x 12.6 x 12.6 in)	11 Kg (24 lbs)
08-01-030	800W		120V - 60 Hz		Fixed port connections NPT ½"		

The Albin Pump Marine Premium Water Heaters and square models have a toxic free ceramic inside coating to ensure highest water quality over time. Electrical heating only.

- Interchangeable with common brands such as Webasto/Isotemp
- 850W, 230V or 800W, 120V
- Doubly enameled steel tank with aluminium outer coating
- Electric heating only 230V or 120V, for outboard boats or boats with genset, requires power AC 230V
- Incoloy corrosion-resistant alloy elements for electrical heating
- Heat loss 1 °C (1.8 °F)/hour over 24 hours
- Flexible mounting brackets, thermostat and drain valve are included

## Premium Electric Square Water Heater 22l

Part no.	Power	Capacity	Voltage	Fuse size	Connections	Dimensions LxWxH	Weight empty
08-03-032	850W	20 L (5.3 gal) Heats up 22L (5,8 gal) in 45min, good for 30L of mixed warm water or a 3 minute shower. Keeps heated water warm for a duration >10h when not connected to shore power.	230V - 50 Hz	3.7 A	Fixed port connections BSP ½"	493 x 320 x 320 mm (19.4 x 12.6 x 12.6 in)	11 Kg (24 lbs)
08-03-030	800W		120V - 60 Hz		Fixed port connections NPT ½"		



# Stainless Steel Water Heaters

The Albin Pump Marine Stainless Steel Water Heaters have a stainless steel AISI 316 tank, anti-corrosion treatment with pickling and passivation. Dual heating as standard - electrical heating and indirect heating based on a second heat source, for example based on the cooling system from the Marine engine or generator set.

- Round version 22 liter (5.8 gal), 30 liter (8 gal), 45 liter (12 gal), 60 liter (17 gal)
- Interchangeable with common brands such as Webasto/Isotemp
- 850W, 230V
- Enamaled iron heat exchanger for indirect heating from e.g. engine cooling water
- Incoloy corrosion-resistant alloy elements for electrical heating
- Heat loss 1 °C (1.8 °F)/hour over 24 hours
- Flexible mounting brackets, thermostat and drain valve are included
- Designed for continuous use onboard vessels in demanding environments

## Stainless Steel Water Heater 22L



Part no.	Power	Capacity	Voltage	Fuse size	Connections	Dimensions L x W x H	Weight empty
08-02-006	850W	22 L (5.8 gal) Heats up 22L (5,8 gal) in 1h, good for 35L of mixed warm water or a 3,5 minute shower.	230V - 50Hz	3.7 A	Fixed port connections BSP ½"	439.5 x 390 x 404 mm (17.3 x 15.4 x 15.9 in)	11 Kg (24 lbs)

## Stainless Steel Water Heater 30L



Part no.	Power	Capacity	Voltage	Fuse size	Connections	Dimensions L x W x H	Weight empty
08-02-007	850W	30 L (7.9 gal) Heats up 30L (8 gal) in 1,5h, good for 45L of mixed warm water or a 4,5 minute shower.	230V - 50Hz	3.7 A	Fixed port connections BSP ½"	503.5 x 390 x 404 mm (19.8 x 15.4 x 15.9 in)	12 Kg (26 lbs)

## Stainless Steel Water Heater 45L



Part no.	Power	Capacity	Voltage	Fuse size	Connections	Dimensions L x W x H	Weight empty
08-02-008	850W	45 L (11.9 gal) Heats up 45L (12 gal) in 2h, good for 65L of mixed warm water or a 6,5 minute shower	230V - 50Hz	3.7 A	Fixed port connections BSP ½"	689 x 390 x 404 mm (27.1 x 15.4 x 15.9 in)	14 Kg (31 lbs)

## Stainless Steel Water Heater 60L



Part no.	Power	Capacity	Voltage	Fuse size	Connections	Dimensions L x W x H	Weight empty
08-02-009	850W	60 L (15.8 gal) Heats up 60L (16 gal) in 4h, good for 90L of mixed warm water or a 9 minute shower	230V - 50Hz	3.7 A	Fixed port connections BSP ½"	849 x 390 x 404 mm (33.4 x 15.4 x 15.9 in)	16 Kg (35 lbs)

## Stainless Steel Water Heater 80L



Part no.	Power	Capacity	Voltage	Fuse size	Connections	Dimensions L x W x H	Weight empty
08-02-010	850W	80 L (21.2 gal) Heats up 80L (21,2 gal) in 5h, good for 120L of mixed warm water or a 15 minute shower	230V - 50Hz	3.7 A	Fixed port connections BSP ½"	1009 x 390 x 404 mm (39.7 x 15.4 x 15.9 in)	20 Kg (44 lbs)

# Accessories / Spare Parts



Complement your Water Heaters with Albin Pump Marine Mixer and Hose Connection Kits and Spare Parts.

## Premium Water Heater Mixer Kit

Premium Mixer Kit, safe distribution of mixed warm water at exact temperatures.

- Allows you to not waste any hot water which saves water and energy

Part no.	Description
08-66-011	Premium Mixer Kit



## Hose Connection Kit

Part no.	Description
08-66-012	Hose Connection Kit



## Pressure Release Valve

Safely releases excess pressure and also for draining the water heater.

Part no.	Description
08-99-013	Pressure Release Valve



## Drain valve

Simplify the draining of the water heater of its water

- To avoid freezing or to preserve the water heater off season

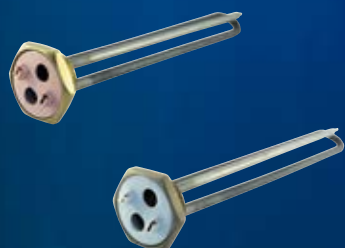
Part no.	Description
08-99-014	Drain valve

## Replacement Heater Elements

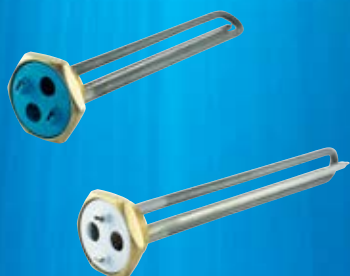
Heater elements that fit all Albin Pump Marine water heaters

### Heater Element 550W / 500W

Part no.	Description	Type
08-99-015	Heater Element 230V 550W	550W allows to use the water heater at 230V with 4A shorepower fuse
08-99-018	Heater Element 120V 500W	500W allows to use water heater at 120V with 5A fuse



# Accessories / Spare Parts



## Heater Element 850W / 800W

Part no.	Description	Type
08-99-016	Heater Element 230V 850W	850W allows to use water heater at 230V with 5A shorepower fuse
08-99-019	Heater Element 120V 800W	800W allows to use water heater at 120V with 10A shorepower fuse



## Heater Element 1250W / 1200W

Part no.	Description	Type
08-99-017	Heater Element 230V 1250W	1250W allows to use water heater at 230V with 10A shorepower fuse
08-99-020	Heater Element 120V 1200W	1200W allows to use water heater at 120V with 15A shorepower fuse



## Thermostat

Part no.	Description	Type
08-99-021	Thermostat to set temperature of heated water.	Adjustable 40° – 80° C (104° – 176° F)



## Premium Anode Short

Part no.	Description	Type
08-99-022	Short anode for Premium Water Heater	Premium Water Heaters 20 – 30 L (5.3 – 7.9 gal)



## Premium Anode Long

Part no.	Description	Type
08-99-023	Long anode for Premium Water Heater	Premium Water Heaters 45 – 60 L (11.9 – 15.8 gal)



## 09\_Heaters and Defrosters

Our defrosters include heavy duty heating unit and high quality electrical components shielded by a stainless steel cover for long service life. As a kit, the defroster includes a high quality adjustable fan, a four step blower of high capacity, wiring harness and control panel. 3 years limited warranty for heating unit and 1 year for the fan motor.







## 09\_Heaters and Defrosters

Pleasure Boat Defrosters.....	82
Commercial Boat Defrosters .....	82
Accessories .....	84

# Heaters and Defrosters

Albin Pump Marine defrosters include a heavy duty heating unit and high quality electrical components shielded by a stainless steel cover for long service life. For connection to engines with fresh water cooling system. Available as complete kits and stand-alone heating units.

- As a kit, the defroster includes a high quality adjustable fan, a four step blower of high capacity, wiring harness and control panel

## Pleasure Boat Defrosters

### Marine Defroster 2 kW

Marine defroster/ heater with 2 kW heater coil, axial fan, protection inlet grid and outlet design grid.

**Kit includes:** 5 m (16 ft) Wiring harness and on/off control panel



Part no.	Heating capacity	Max. Rated Air flow	Voltage	Fuse size	Water connections	Dimensions W x H x D	Weight
09-01-001 (kit)	2 kW (6800 BTU/h)	80 m <sup>3</sup> /h (47 ft <sup>3</sup> /min)	12V	3 A	16 mm (5/8") copper pipes with DIN 71550 bead Max. water pressure: 2.5 bar (36 psi)	218x185x97 mm (8.6x7.3x3.8 in)	2 kg (4.4 lbs.)
09-01-002 (kit)			24V	2 A			

### Marine Defroster 6 kW

Marine defroster/ heater with 6 kW heater coil and double radial blowers

**Kit includes:** 5 m (16 ft) Wiring harness, 4-step control panel and hose adapters



Part no.	Heating capacity	Max. Rated Air flow	Voltage	Fuse size	Water connections	Dimensions W x H x D	Weight
09-01-035 (kit)	6 kW (20500 BTU/h)	200 m <sup>3</sup> /h (118 ft <sup>3</sup> /min)	12V	15 A	16 mm (5/8") copper pipes with DIN 71550 bead Max. water pressure: 2.5 bar (36 psi)	322x180x118 mm (12.7x7.1x4.6 in)	5.5 kg (12.1 lbs.)
09-01-036 (kit)			24V	10 A			
09-01-037 (stand-alone)			12V	15 A			
09-01-038 (stand-alone)			24V	10 A			

## Commercial Boat Defrosters

### Marine Defroster 9 kW

Marine defroster/ heater with 9 kW heater coil and double radial blowers

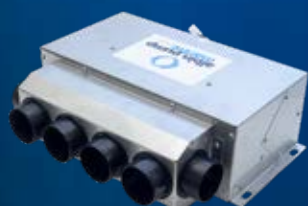
**Kit includes:** 5 m (16 ft) Wiring harness, 4-step control panel and hose adapters



Part no.	Heating capacity	Max. Rated Air flow	Voltage	Fuse size	Water connections	Dimensions W x H x D	Weight
09-01-005 (kit)	9 kW (31 000 BTU/h)	350 m <sup>3</sup> /h (206 ft <sup>3</sup> /min)	12V	15 A	16 mm (5/8") copper pipes with DIN 71550 bead Max. water pressure: 2.5 bar (36 psi)	322x180x118 mm (12.7x7.1x4.6 in)	5.5 kg (12.1 lbs.)
09-01-006 (kit)			24V	10 A			
09-01-011 (stand-alone)			12V	15 A			
09-01-012 (stand-alone)			24V	10 A			

### Marine Defroster 9 kW 6 outlets

Marine defroster/ heater with 9 kW heater coil, double radial blowers and 6 outlets



Part no.	Heating capacity	Max. Rated Air flow	Voltage	Fuse size	Water connections	Dimensions W x H x D	Weight
09-01-015 (stand-alone)	9 kW (31 000 BTU/h)	350 m <sup>3</sup> /h (206 ft <sup>3</sup> /min)	12V	15 A	16 mm (5/8") copper pipes with DIN 71550 bead Max. water pressure: 2.5 bar (36 psi)	440x220x130 mm (17.3x8.7x5.1 in)	5 kg (11 lbs.)
09-01-016 (stand-alone)			24V	10 A			

# Heaters and Defrosters



## Marine Defroster 12 kW

Marine defroster/ heater with 12 kW heater coil and double radial blowers

Kit includes: 5 m (16 ft) Wiring harness, 4-step control panel and hose adapters

Part no.	Heating capacity	Max. Rated Air flow	Voltage	Fuse size	Water connections	Dimensions W x H x D	Weight
09-01-007 (kit)	12 kW (41 000 BTU/h)	680 m <sup>3</sup> /h (400 ft <sup>3</sup> /min)	12V	15 A	16 mm (5/8") copper pipes with DIN 71550 bead Max. water pressure: 2.5 bar (36 psi)	403 x 176 x 244 mm (15.9 x 6.9 x 9.6 in)	5.2 kg (11.5 lbs.)
09-01-008 (kit)			24V	10 A			
09-01-013 (stand-alone)			12V	15 A			
09-01-014 (stand-alone)			24V	10 A			

# Accessories

Complement your Stand-alone Defrosters with Albin Pump Marine Control Panels.



## Control Panel 2 kW

Part no.	Description	Voltage
09-66-015	Illuminated on/off control panel	12V
09-66-016		24V



## Control Panel 4 kW, 6kW, 9 kW and 12 kW – 12V / 24V

Part no.	Description	Voltage
09-66-017	4-step control panel for 4 kW, 6 kW, 9 kW and 12 kW defroster/heater	12V / 24V



## 10\_Ventilation Blowers

Air blowers cover a wide range of ventilation needs and are suitable for almost any installation situation. Engine compartment air extraction prior to start-up, bilge ventilation, galleys or any other compartment. In-line, flange or flex mount compact design with motor integrated in center of blower. Double ball bearings with a high impact thermoplastic body and solid durable assembly surfaces. 1 year limited warranty.



[www.albinpumpmarine.com](http://www.albinpumpmarine.com)  
[info@albinpumpmarine.com](mailto:info@albinpumpmarine.com)





# 10\_Ventilation Blowers

Radial Ventilation Blowers.....	87
Flange-mounted Blowers .....	87
Flex-mounted Blowers.....	87
In-Line Blowers.....	88

# Radial Ventilation Blowers



Radial blower for marine ventilation for engine compartment air extraction prior to start-up, bilge ventilation, galleys or any other compartment.

- Flange or flex mount
- Compact design with motor integrated in center of blower
- Double ball bearings
- High impact thermoplastic PA6 highly durable white Nylon body
- Solid, durable assembly surfaces

## Marine Air Blower 280 Flange

Part no.	Type	Capacity	Voltage	Fuse size	Connections		Dimensions HxWxL	Interchangeable with*
					Inlet	Outlet		
10-02-001	3" Flange mounted radial blower	280 m <sup>3</sup> /h (163 ft <sup>3</sup> /min)	12V	5 A	Ø 75 mm (3")	92x80 mm (3.6x3.2 in)	200x165x195 mm (7.9x6.5x7.7 in)	Johnson Pump 80-47416-01 Jabsco 34739-0010
10-02-002			24V					JP 80-47416-02 Jabsco 50880-1100

## Marine Air Blower 500 Flange

Part no.	Type	Capacity	Voltage	Fuse size	Connections		Dimensions HxWxL	Interchangeable with*
					Inlet	Outlet		
10-02-003	4" Flange mounted radial blower	500 m <sup>3</sup> /h (324 ft <sup>3</sup> /min)	12V	15 A	Ø 100 mm (4")	146x118 mm (5.8x4.7 in)	290x257x150 mm (11.4x10.1x5.9 in)	Johnson Pump 80-47417-01 Jabsco 35760-0092
10-02-004			24V	10 A				Johnson Pump 80-47417-02, Jabsco 35760-0094

## Marine Air Blower 750 Flange

Part no.	Type	Capacity	Voltage	Fuse size	Connections		Dimensions HxWxL	Interchangeable with*
					Inlet	Outlet		
10-02-005	6" Flange mounted radial blower	750 m <sup>3</sup> /h (441 ft <sup>3</sup> /min)	12V	20 A	Ø 150 mm (6")	146x118 mm (5.8x4.7 in)	290x257x170 mm (11.4x10.1x6.7 in)	Johnson Pump 80-47418-01
10-02-006			24V	15 A				Johnson Pump 80-47418-02

## Marine Air Blower 500 Flex

Part no.	Type	Capacity	Voltage	Fuse size	Connections		Dimensions HxWxL	Interchangeable with*
					Inlet	Outlet		
10-03-007	4" Flex mounted radial blower	500 m <sup>3</sup> /h (324 ft <sup>3</sup> /min)	12V	15 A	Ø 100 mm (4")	Ø 110 mm (4.3 in)	290x257x150 mm (11.4x10.1x5.9 in)	Johnson Pump 80-47420-01 Jabsco 35770-0092
10-03-008			24V	10 A				Johnson Pump 80-47420-02 Jabsco 35770-0094

## Marine Air Blower 750 Flex

Part no.	Type	Capacity	Voltage	Fuse size	Connections		Dimensions HxWxL	Interchangeable with*
					Inlet	Outlet		
10-03-009	6" Flex mounted radial blower	750 m <sup>3</sup> /h (441 ft <sup>3</sup> /min)	12V	20 A	Ø 150 mm (6")	Ø 110 mm (4.3 in)	290x257x170 mm (11.4x10.1x6.7 in)	Johnson Pump 80-47421-01
10-03-010			24V	15 A				Johnson Pump 80-47421-02

# In-Line Ventilation Blowers

In-Line mounted axial blower for marine ventilation for engine compartment air extraction prior to start-up, bilge ventilation, galleys or any other compartment.

- In-Line mounted
- Compact design with motor integrated in center of blower
- Advanced five blade design for maximum flow and performance
- Sheltered blades from blower housing interference at tough installation
- Quiet operation and low power consumption
- Long motor service life from powerful airflow cooling
- For continuous duty



## Marine Air Blower 1000 Inline 250

Part no.	Type	Capacity	Voltage	Fuse size	Connections	Dimensions HxWxL	Interchangeable with*
10-01-011	7" In-Line mounted, axial flow blower through-bulkhead installation	1000 m <sup>3</sup> / h (589 ft <sup>3</sup> / min)	12V	7 A	178 mm (7 in) hose	250x220x178 mm (9.8x8.7x7 in)	Vetus 17812A
10-01-012			24V	3.5 A			Vetus 17824A



## Marine Air Blower 1000 Inline 165

Part no.	Type	Capacity	Voltage	Fuse size	Connections	Dimensions HxWxL
10-01-013	7" In-Line mounted, axial flow blower through-bulkhead installation	1000 m <sup>3</sup> / h (589 ft <sup>3</sup> / min)	12V	7 A	178 mm (7 in) hose	165x220x178 mm (6.5x8.7x7 in)
10-01-014			24V	3.5 A		

